

Rigid-Flex PCB Right the First Time - Without Paper Dolls

Benjamin Jordan
Altium Inc.

Abstract

The biggest problem with designing rigid-flex hybrid PCBs is making sure everything will fold in the right way, while maintaining good flex-circuit stability and lifespan. The next big problem to solve is the conveyance of the design to a fabricator who will clearly understand the design intent and therefore produce exactly what the designer/engineer intended. Rigid-Flex circuit boards require additional cutting and lamination stages, and more exotic materials in manufacturing and therefore the cost of re-spins and failures are very much higher than traditional rigid boards. To reduce the risk and costs associated with rigid-flex design and prototyping, it is desirable to model the flexible parts of the circuit in 3D CAD to ensure correct form and fit. In addition it is necessary to provide absolutely clear documentation for manufacturing to the fabrication and assembly houses.

The traditional attempt most design teams use to mitigate these risks is to create a "paper doll" of the PCB, by printing out a 1:1 representation of the board and then folding it up to fit a sample enclosure. This has a number of issues:

- 1) The paper doll does not also model the 3D thickness of the rigid and flex sections.
- 2) The paper doll does not include 3D models of the electronic components mounted on the PCB.
- 3) This approach requires a physical sample of the final enclosure which may not yet be final in it's design either.
- 4) If the mechanical enclosure is custom designed, a costly 3D print will be required for testing. This adds much time and expense to the project. As cool as 3D printers are, it's not a sensible use for them if the modeling can be done entirely in software.

This paper discusses practical steps in two approaches to solve these problems, contrasting against the traditional "paper doll" approach above.

In the first scenario, a 3D MCAD model of the PCB assembly can be created in the MCAD package where a "sheet metal" model can be generated for the PCB substrate model. This sheet metal model can be bent into shape in the MCAD software to fit the final enclosure and check for clearance violations. This is not the best approach but it is better than paper dolls.

In the second scenario, a significant part of the enclosure or mechanical assembly model is brought from the MCAD package into the PCB design software, where the rigid-flex board outline can be designed specifically to fit with it. Rigid-flex layer stack sections can be defined and then flexible circuit areas have bending lines added. In the PCB design tool's 3D mode, the folds are then implemented to reveal where potential clearance violations and interference occurs. The PCB design can then be interactively modified to resolve the problems and check right away - without having to build any further mock-ups or translate design databases from one tool to another.

Introduction

Rigid-Flex can have many benefits, and many designers are at least considering it today that previously did not have to. More Printed Circuit Board (PCB) designers are facing higher pressures to build ever more densely populated electronics, and with that come additional pressures to reduce costs and time in manufacturing. Rigid-Flex PCB technology offers a solution that is viable for many product designs facing these challenges.

Yet there are aspects of rigid-flex technology, which could be potholes in the road for newcomers. So it's wise to first understand how flex circuits and rigid-flex boards are actually made. There is however great difficulty in making sure everything will fold in the right way, while maintaining good flex-circuit stability and lifespan.

In addition, design hand-off to the fabricator is fraught with risk, especially for those less experienced (either in design or manufacture). First, there must be absolutely clear documentation around what is required. Such documentation includes layer stack and material definitions, fabrication drawings, and design notes. If these items are not accurate and complete there will be production delays at best, and scrap prototypes at worst. Second, the PCB layout and design is still traditionally carried out in 2D CAD systems where it is difficult to visualize or model how the components mounted on the final PCB

Assembly (PCBA) will fit in 3D space when the rigid-flex circuit is in operation. Third, problems with assembly of the folded flex circuit may not be discovered until boards are in pick-and-place (PNP) or during final prototype assembly into the target enclosure. These issues dramatically increase the risk and potential costs of developing a successful product around a rigid-flex PCB.

Rigid-Flex PCB Construction

To best understand the problems discussed in this paper it is necessary to offer a very brief overview of typical rigid-flex PCB construction. This subject matter is treated lightly here but a more thorough discussion can be found in the author's guidebook: "Rigid-Flex PCB Design: A Guidebook for Designers".[1]

The most common method of flexible printed circuit production is to begin with Polyimide (PI) film sheets, typically 2 to 4 mils in thickness, which are pre-coated with laminated or electro-deposited copper foil, on one or both sides. Laminated foil is adhered to the film using a thin (typically 2 mils) adhesive layer. The copper pattern on this flexible substrate is etched using the same process as rigid PCB substrates, using a photolithographic process. **Figure 1** illustrates the construction of a typical single layer Flexible Printed Circuit (FPC). After etching, additional adhesive sheets and PI film layers are laminated onto the FPC to protect the copper, known as coverlays.

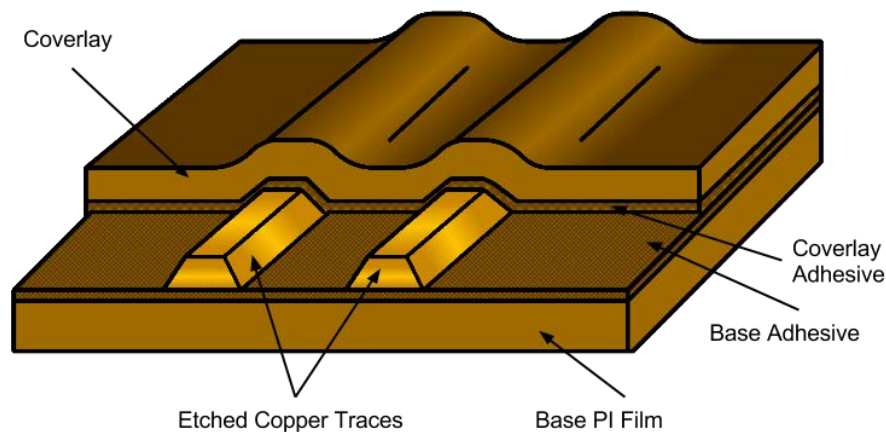


Figure 1: Single layer FPC construction.

Components can be mounted on the FPC, with component land patterns (pads) being exposed for soldering through openings in the coverlay film. Thus, coverlay also forms a soldermask in most cases. Usually, the areas of the FPC which have components mounted require stiffeners, or fully rigid PCB substrate (using FR-4, for example). This gives rise to the term "rigid-flex PCB" – where some areas of the board are flexible and others are rigid where components are mounted.

The rigid sections may include additional cores, pre-pregs and copper layers or may simply have blank FR-4 or thick PI film adhered to one side as a stiffener. **Figure 2** shows an illustrated cross-section of an *adhesiveless* rigid-flex hybrid PCB layer stack.

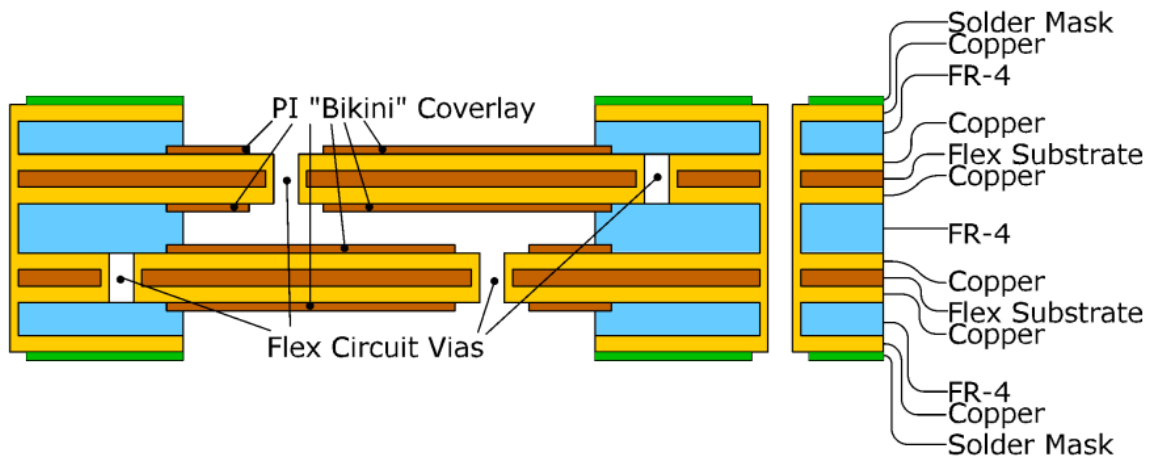


Figure 2: A typical hybrid Rigid-Flex layer stack cross-section.

Lamination of adhesiveless boards is becoming more common, in order to avoid Z-axis expansion problems with the older adhesive-based approach. Because adhesive layers tend to expand greatly during solder reflow, they can adversely affect assembly production yield due to cracked via barrels.

The Traditional “Paper Doll” Approach

Design clearance issues can be mitigated using “paper dolls”. A paper doll is a scaled (usually 1:1) printout of the 2D PCBA outline, cut into its final shape with scissors, so named after the children’s activity of cutting a folded piece of paper into a doll shape and then unfolding it to form a string of connected doll shaped cutouts. Paper dolls have traditionally been used extensively in PCBA development, and not only for flexible electronics. **Figure 3** shows an example of a typical cardboard “paper doll” used to model the mechanical fit of a carrier PCB with a daughterboard.

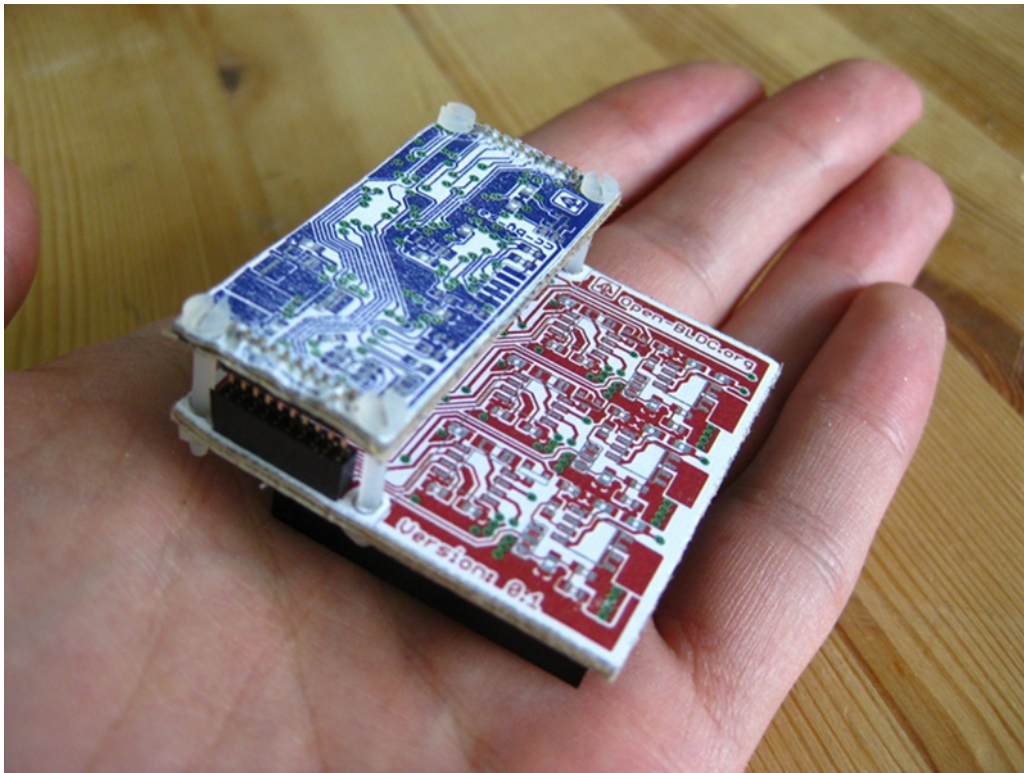


Figure 3: PCB paper doll using cardboard, mounting posts and connectors (source: <http://esden.net/tag/open-brushless-drive-controller/> viewed 2014[2])

Immediately one can begin to see the limitations of this approach. While it is cheaper and faster than actually building a prototype, it is extremely difficult to accurately model the entire PCBA with component interferences. One method is to glue

the bulky components to the cardboard or paper so a reasonable appreciation of the 3D fit can be obtained. This is tedious and wasteful.

An example of a paper doll for a rigid-flex design is shown in **Figure 4**. A 1:1 printout of the PCB layout design is cut out of the paper and folded in the way that the flexible portions of the circuit should go in the final product installation. For a more accurate feel of how things will fit, cardboard which approximates the thickness of the rigid portions of the final board should be cut out and glued to the areas of the paper doll which represent the rigid areas of the design.

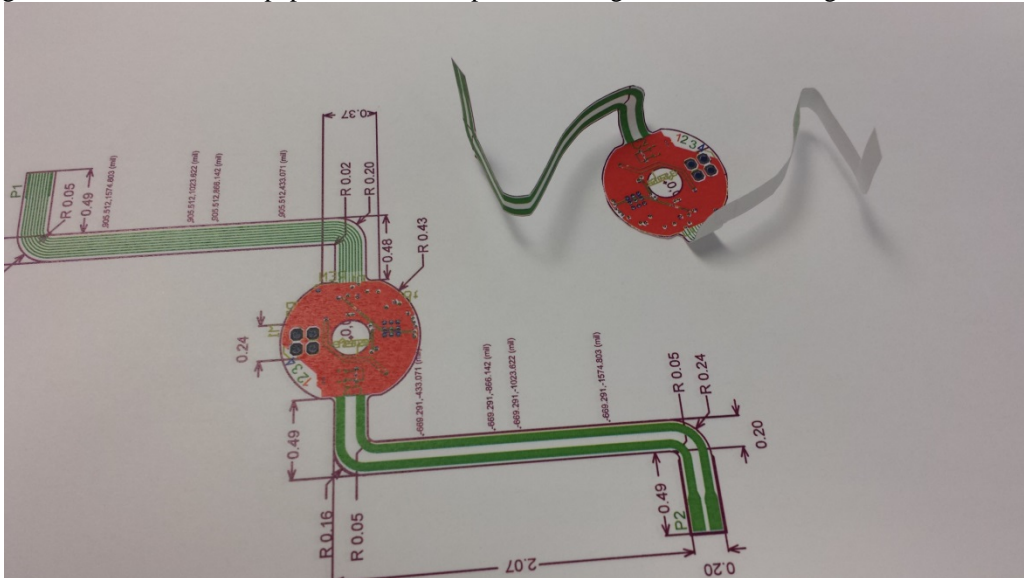


Figure 4: A paper doll of the rigid flex design of a stepper motor controller to be mounted in a movable part of the mechanical assembly.

This approach is tedious and time consuming, and it is very difficult to make the paper bend naturally in the same way that PI film of the final product will bend. Therefore it's difficult to get a clear idea about the fatigue or natural folding properties of the design.

Additionally it does not allow for proper checking of the various layer stack regions, and hence there's no guarantee that the design – even if the paper doll fits and folds correctly – is actually manufacture-able.

To save time and guarantee a proper fit, before the expense of costly prototypes, it is desirable to model the rigid flex design in CAD software. Since the product is initially designed using mechanical CAD (MCAD) tools, it is not a great deal of additional effort for skilled MCAD operators to use sheet metal models to represent the rigid-flex PCB.

Sheet Metal Model Method in MCAD

In the sheet metal method, the process is relatively straightforward but has many steps. The initial MCAD model of the product is designed along with a sheet metal component, which forms part of the assembly. One or more fixed tabs are used to model rigid sections (or flex with stiffener). **Figure 5** shows a subset assembly of a product where the rigid-flex PCB substrate sits atop a stepper motor model.

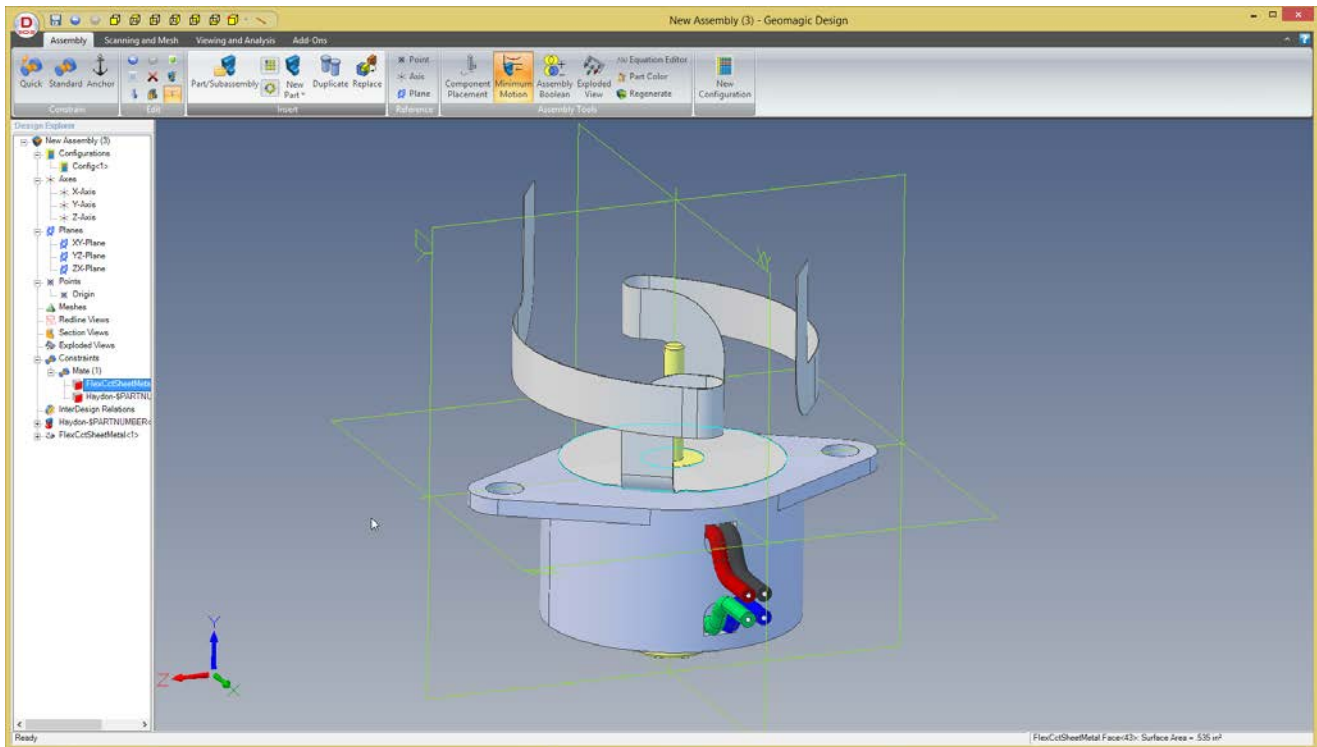


Figure 5: Stepper motor model and rigid-flex

This is a nice clean way of discovering what area is available for the PCB substrate, but it is still necessary to get this shape into the PCB editor's workspace. Generally, MCAD software packages that model sheet metal have an “unbend” or “unfold” feature which is usually used for generating the sheet metal stamping outputs needed for sheet metal fabrication. In this case however we need to generate a model suitable for import into the PCB editor. The unfolded sheet metal model of the board is shown in **Figure 6** and areas subject to bending are highlighted, which can assist in planning for component placement regions known as “rooms” later on.

This sheet metal model can be exported to the PCB design software (ECAD) as either IDF or DXF in its simplest form. The PCB editor imports this board shape or outline from which the PCB shape is actually created.

Components are placed in the PCB editor and then an IDF file is generated to transmit the PCB shape and component locations back to the MCAD database, where the mechanical designer can re-fold the board substrate. However in most cases this is an unwieldy task, with some manual effort involved in maintaining the placement associations of the components on the rigid board sections in their folded positions.

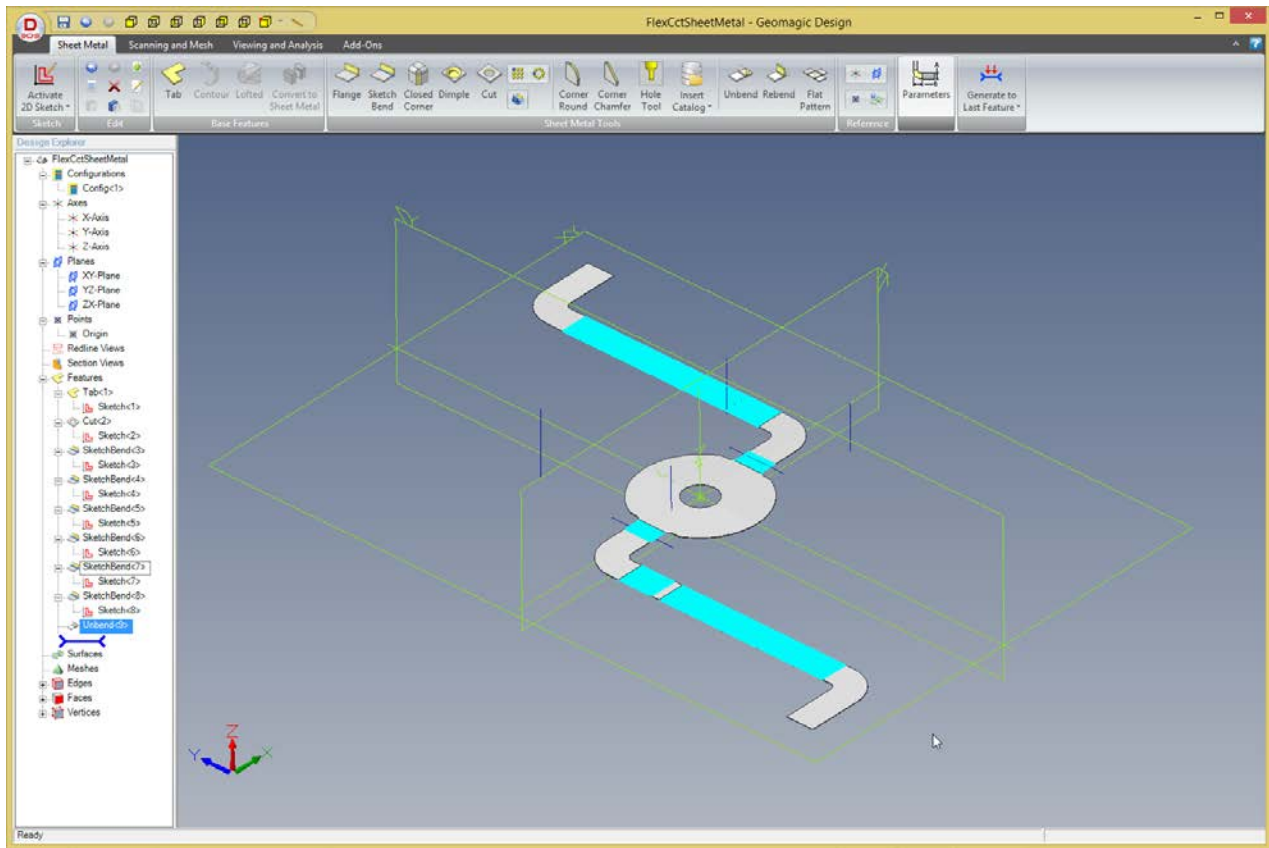


Figure 6: Here's the flattened 2D "sheet metal" shape to be exported to ECAD.

The overall process involving both MCAD and ECAD domains is illustrated in **Figure 7**. The advantage of this method is that both mechanical and PCB design specialists get to work in their native software environments, focusing on what they do best.

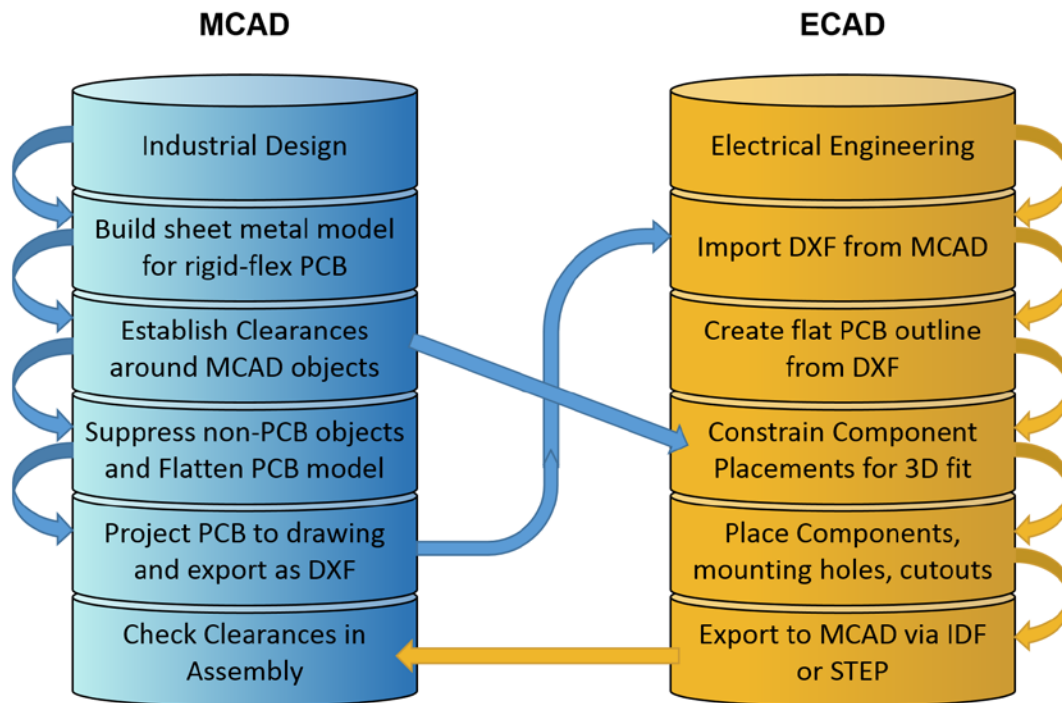


Figure 7: Process flow with ECAD and MCAD tools having separate database.

Direct ECAD 3D Model

As the name suggests, in this new method the PCB layout design, Rigid-Flex folding design, and mechanical assembly are all modeled together directly within the ECAD software. Advancements in most modern PCB design tools enable proper 3D visualization at a minimum, supported largely by the use of 3D STEP models of the components and mechanical enclosure or parts thereof.

ECAD software with 3D functionality is not intended to replace dedicated mechanical CAD systems. At least, not until engineering affords such a multi-disciplinary approach. Meanwhile, it is a major step forward in terms of improved workflow, and reduced waste of time and materials. High-end PCB design tools allow for Native 3D PCB design: this includes not only 3D visualization of the PCBA, but also full 3D modeling of the PCB including dielectrics and copper. Such 3D models can also be exported for thorough thermal and electromagnetic investigations.

With additional tools for Native 3D modeling of the board materials, components, and mechanical object such as the enclosure, proper clearance checking and animation of flexible circuit elements is possible, offering some guarantee that the final rigid-flex design will fit in the designed enclosure and function according to specifications.

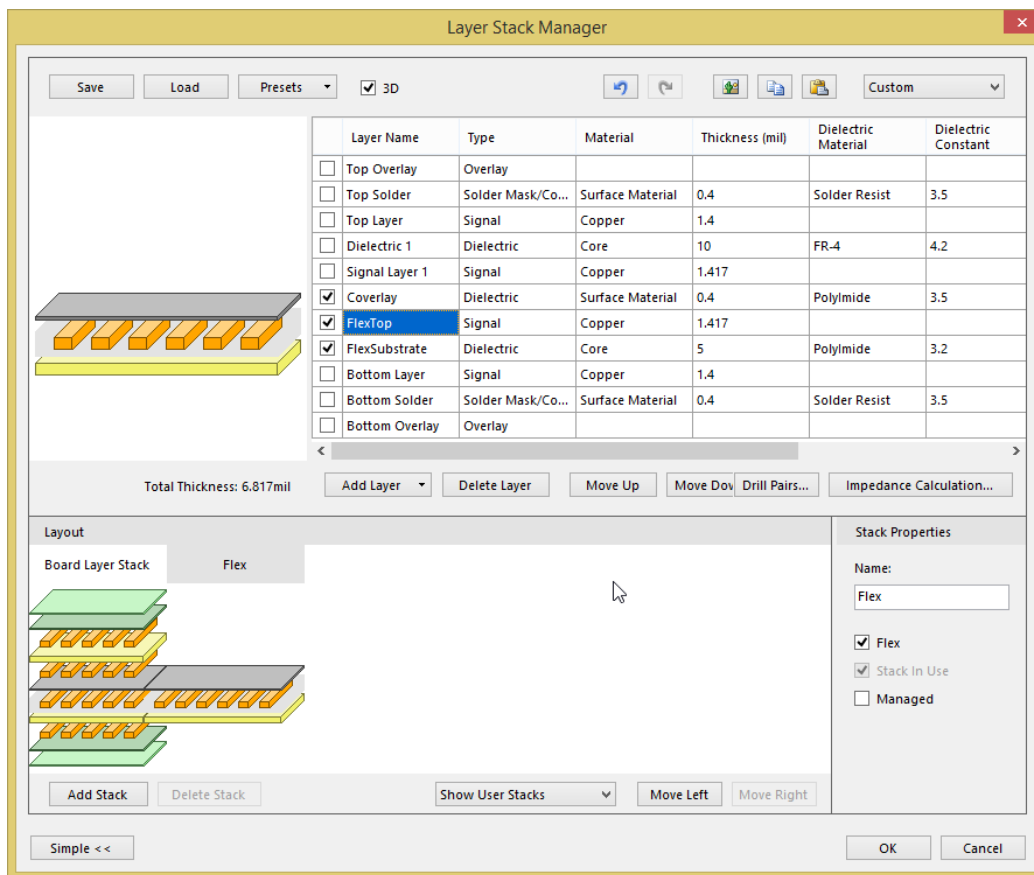


Figure 8: Layer Stack Definitions to be assigned to flex and rigid board regions.

It is still beneficial for the MCAD designer to generate a 3D model of the rigid-flex board without components, and import this as a 2D outline into the ECAD software. The overall extents of the PCB are generated from this. Alternatively this step is performed directly within the PCB design tool.

Once the PCB outline has been generated, the layer stacks for each region of the PCB design (rigid and flexible) must be defined (**Figure 8**) and then assigned to the areas of the board that will contain those layer stack subsets (**Figure 9**). Once the board regions have had the various layer stacks assigned the bending and folding areas for the final product are defined also (**Figure 9**).

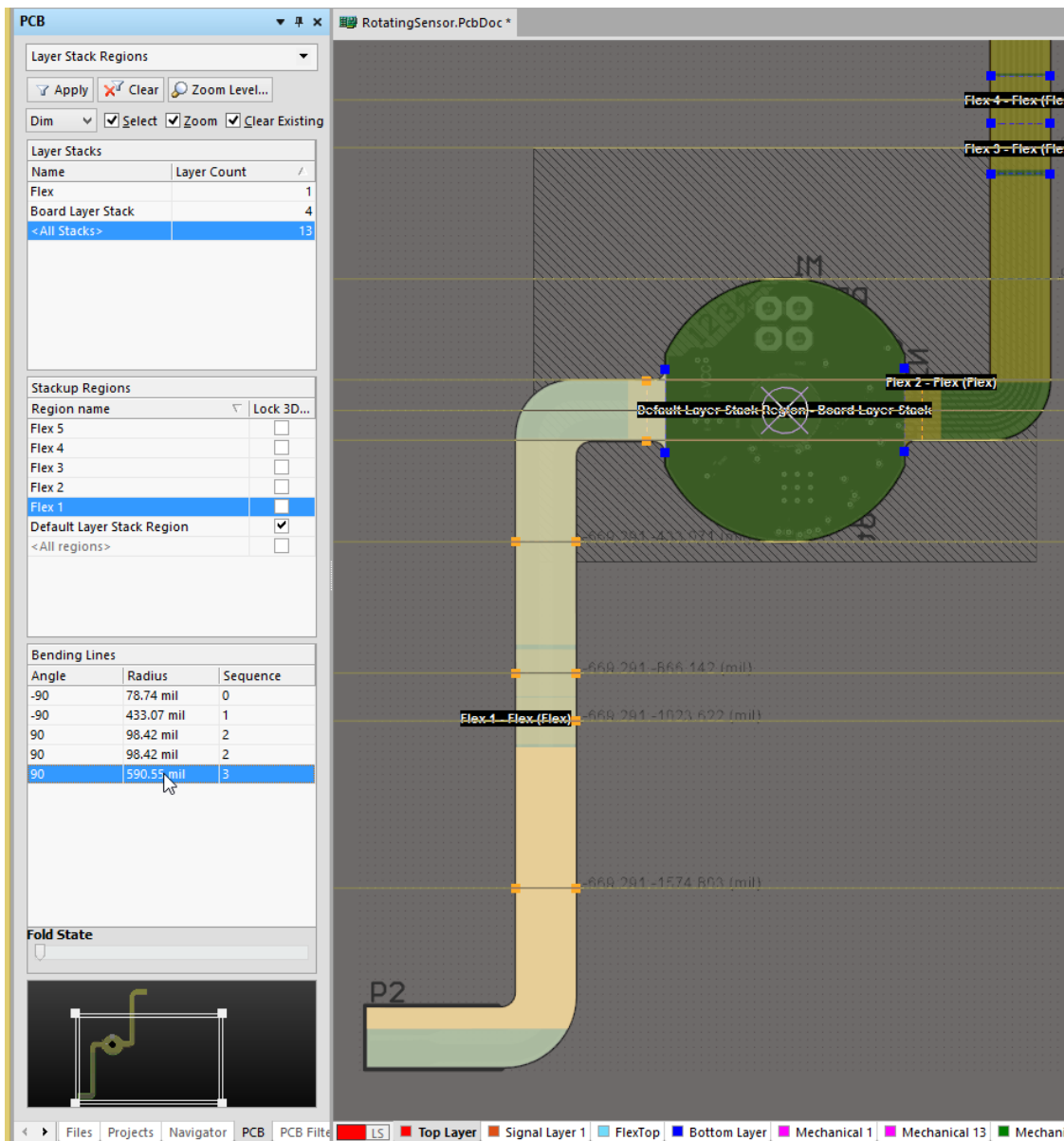


Figure 9: Board regions are assigned the required layer stacks for rigid and flexible areas to be defined, and bending lines are added.

After the board regions and bending lines are defined the flex regions can be folded and examined in the software model to ensure correct form. At this stage it can quickly become apparent if the flexible extents are too short or too long and adjusted accordingly.

The components are then laid out, along with physically bulky objects with STEP models – connectors, heat sinks, LEDs, light pipes, and other parts. At this stage it is beneficial to have the final enclosure model imported into the ECAD environment using a STEP file, and interference checks can then be interactively executed in real-time, or a batch processed Design Rule Check (DRC). Interferences can then assist in the proper relocation of components to rapidly converge on a solution.

Figure 10 shows the 3D mode view of the sample stepper motor drive board, with flex regions folded into the in-situ shape of the final mechanical assembly. The entire PCBA file can be re-exported as a STEP model back into the MCAD software, for final mating with the mechanical design.

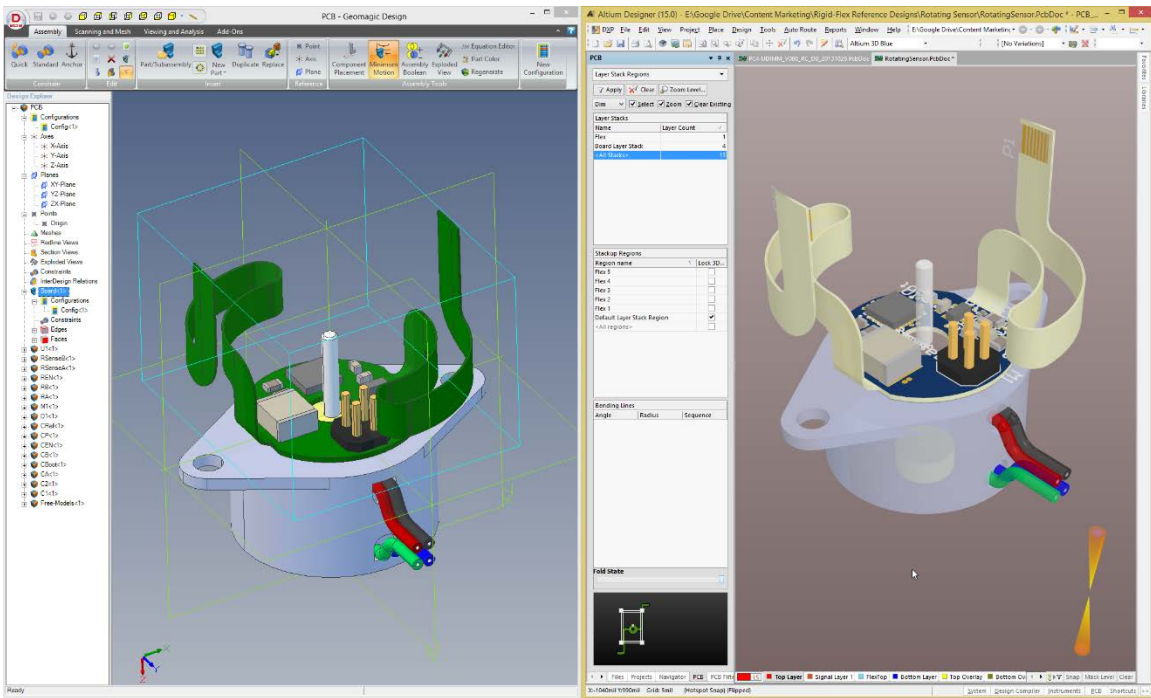


Figure 10: Native 3D model of rigid-flex and mechanical part assembly (right) and re-imported folded model of entire PCBA in MCAD software (left).

The modified process for rigid-flex design without paper dolls is shown in **Figure 11**. By enabling layer stack regions and folding simulation in the ECAD environment, final clearance / interference checking can take place visually during the design process, making it possible to do “right first time” design of rigid-flex boards every time.

At the end of the design process, further time savings are realized in that a STEP file 3D model can be generated from the entire PCBA in both folded and unfolded states, including partially folded states. This has great benefits in terms of design documentation on the MCAD side, but also allows for clear assembly instructions and communication of the steps to be taking during final installation of the PCBA into the product enclosure.

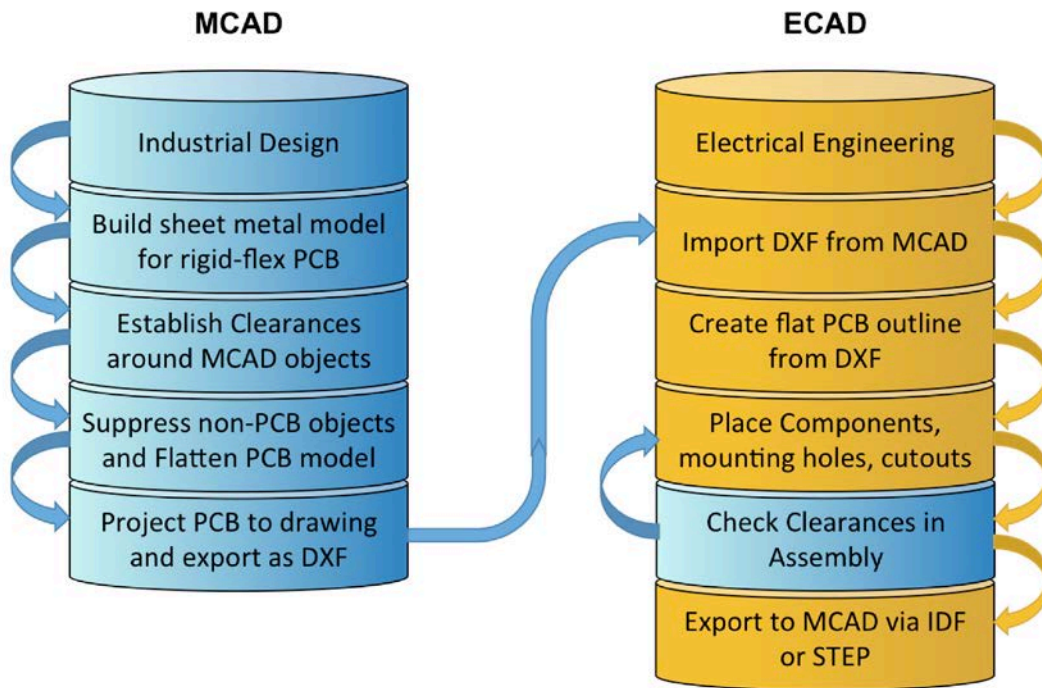


Figure 11: Streamlining the process further by performing all DFM checks in the PCB design tool.

Using this new integrated method, at least 50% of the time normally taken to verify and validate PCB shape and folds can be saved, due to the interactive and instantaneous feedback nature of the approach.

Further time and error is reduced for final assembly, as clear images and video can be generated from the folding steps of the rigid-flex PCBA to discover the optimal assembly sequence. This video or image output can be utilized in both assembly and product service documentation.

A. Reference Material

1. Jordan, B 2013, *Rigid-Flex PCB Design –A guidebook for designers*, Altium Inc., La Jolla, CA.
2. Esden, 2009, *The twisted world of Esden (Blog)*, viewed 13 October 2014, <<http://esden.net/tag/open-brushless-drive-controller/>>
3. Coombs, CF 2008, *Printed Circuits Handbook*, 6th edn, McGraw-Hill, New York, NY.
2. IPC 2011, *Sectional Design Standard for Flexible Printed Boards*, IPC-2223C, IPC, Bannockburn, Illinois.
3. *Thermal Conductivity Polyimide Film* 2013, Shinmax Technology Ltd., Taiwan, viewed 25 October 2013, <http://shinmax.taiwantrade.com.tw/products-detail/en_US/542706/Thermal_Conductivity_Polyimide_Film>.
4. *TCM125-OE*, Zhuhai Smartech Electronics & Machinery, China, viewed 25 October 2013, <<http://www.vcdpickup.com/thomson.files/TCM125-OE.jpg>>.
5. *Machined Class A Die Coverlay* 2011, GC Aero Inc., United States, viewed 25 October 2013, <<http://gcaero.com/wp-content/uploads/2011/11/Punched-Coverfilm.jpg>>.
6. *Fine Blanking Die SKD11 / Din1.2379 For Flex Printed Circuit Board* 2013, Haoji Stamping Tool & Die Co.,Ltd., China, viewed 31 October 2013, <<http://www.metal-stampingdie.com/china-fine-blanking-die-sk11-din1-2379-for-flex-printed-circuit-board-1262774.html>>
7. *1.6mm Immersion Gold FR4 & PI 6 Layer Rigid Flexible Board / Multilayer Printed Circuit Board* 2013, YYUXING Shenzhen Electronics Co., LTD., Korea, viewed 25 October 2013, <<http://www.china-pcbmanufacturer.com/photo/pl425064-fr4-pi-6-layer-immersion-4-4mgold-flexible-printed-circuit-board-assembly-for-led.jpg>>.



Rigid-Flex PCB Design: Right First Time Without Paper Dolls

Ben Jordan, Product Manager, Altium

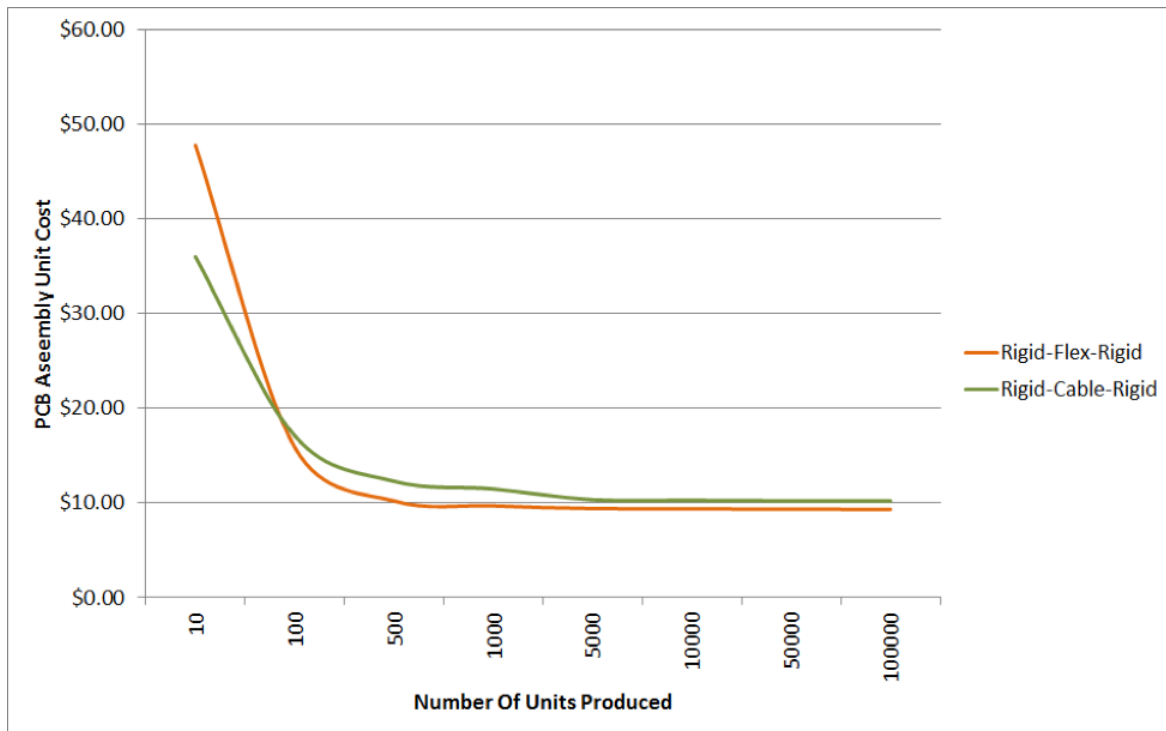


What is Rigid-Flex and why use it?

- FPCs – well known and mature tech from manufacturing standpoint
- Higher cost of production than rigid-only PCBs
- The march of miniaturization means more people consider using Rigid-Flex to save cost in other areas of design:
 - Assembly can be more streamlined
 - Reduced failure rates if applied correctly
 - Reduced component count / BOM cost



What is Rigid-Flex and why use it?





Some FPC Applications

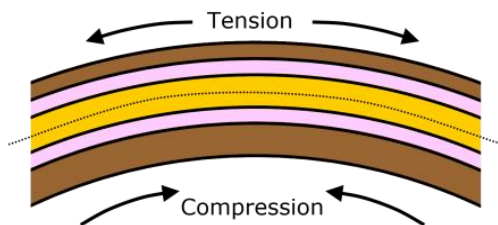
- Compact handheld devices
- Medical / Biotech
- Wearable Electronics
- Integrated Planar Magnetics
- LED Lighting
- Animatronics
- Sensors

Two broad application areas:

- Flex To Install
- Dynamic

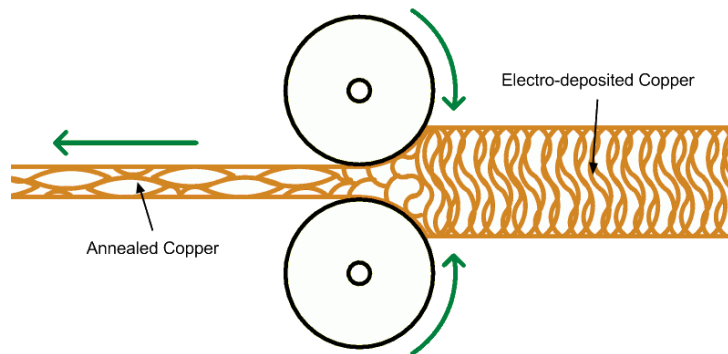


Bend Radius



From IPC-2223B:

$$R = \frac{C(100-E_B)}{2E_B} - D$$



R is the minimum bend radius

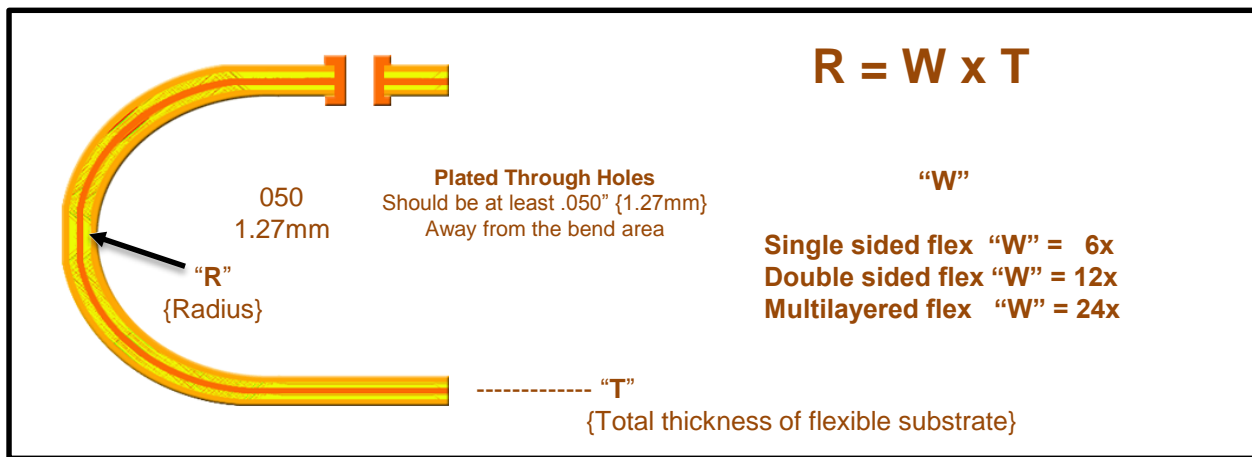
C is the copper thickness

D is the dielectric thickness

E_B is the allowed copper deformation (%)



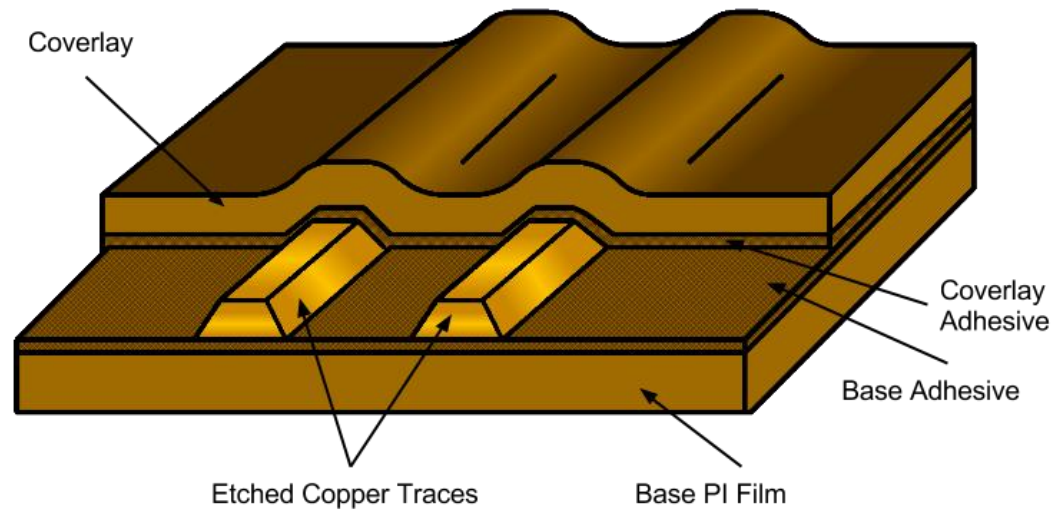
Bend Radius



Courtesy – Amit Bahl, Sierra Circuits:

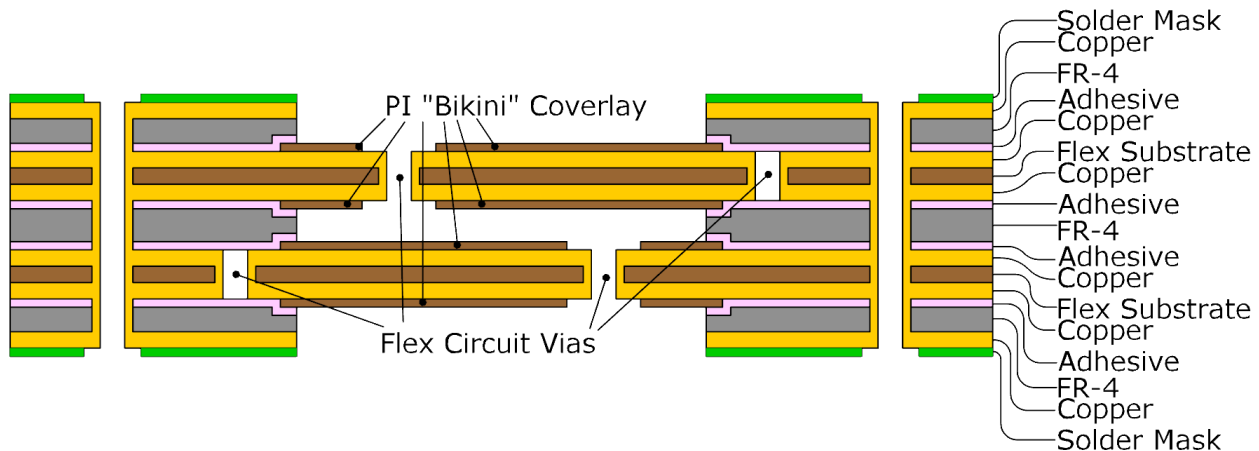


Typical single-sided flex



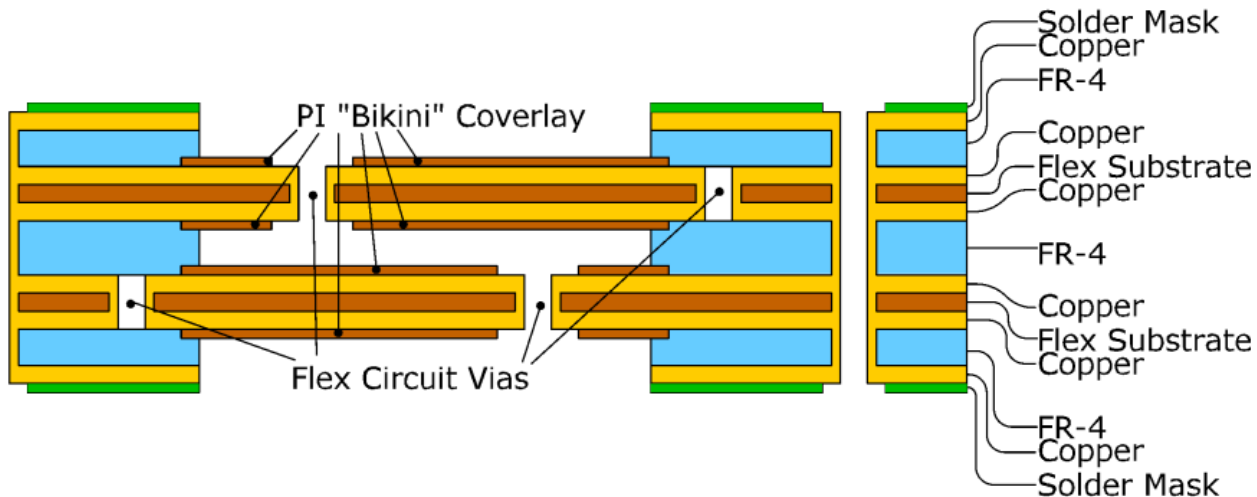


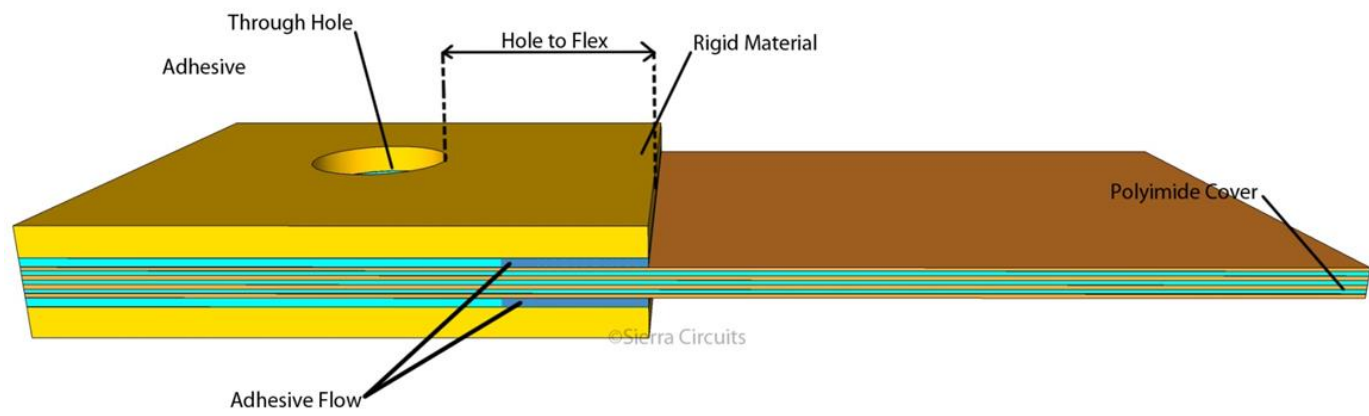
Multilayer with adhesive





Adhesive-less





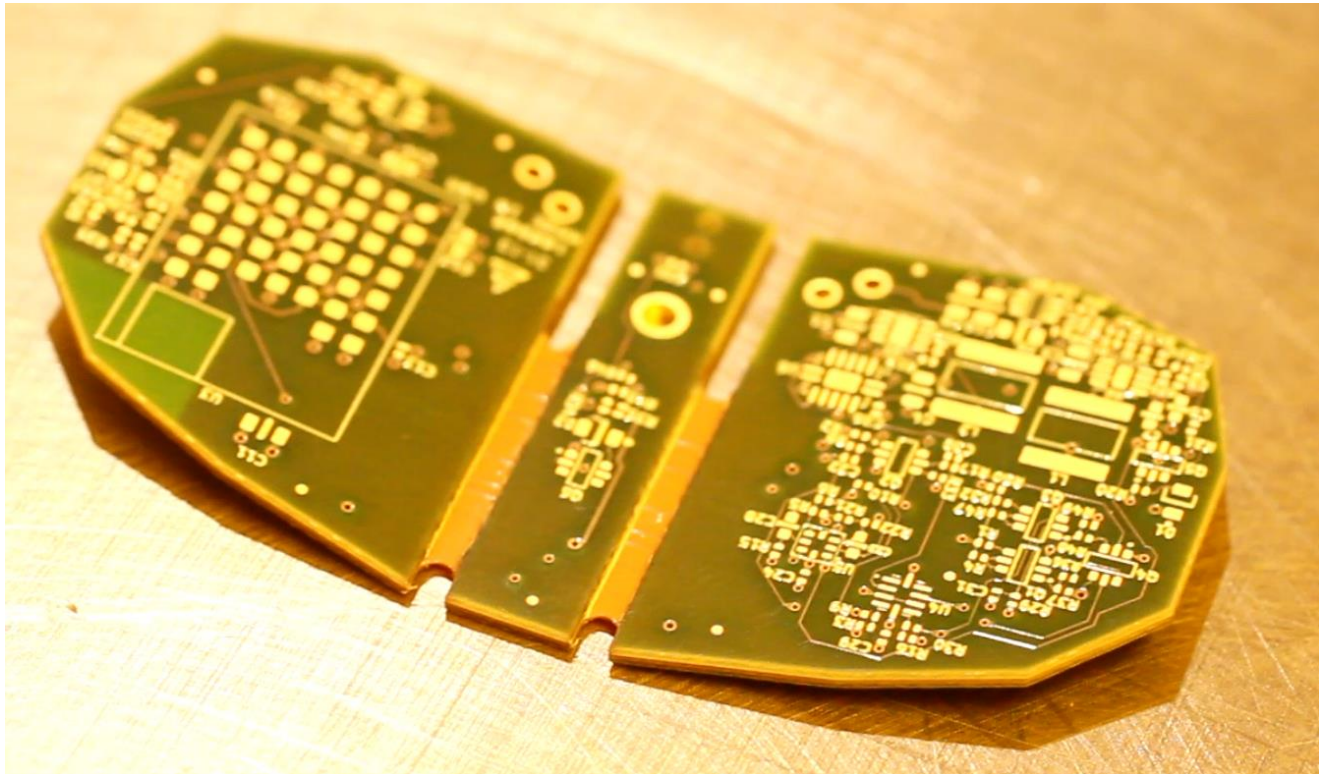


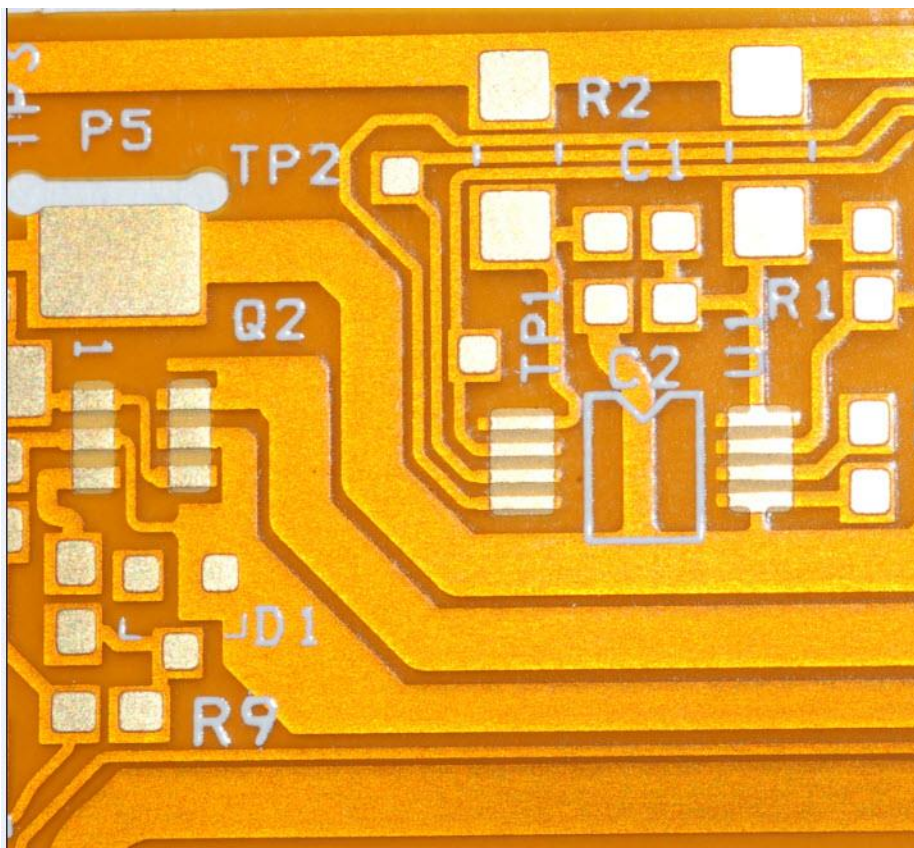
Consider the applications

It's a very sobering feeling to be up in space and realize that one's safety factor was determined by the lowest bidder on a government contract.

-Alan Shepard



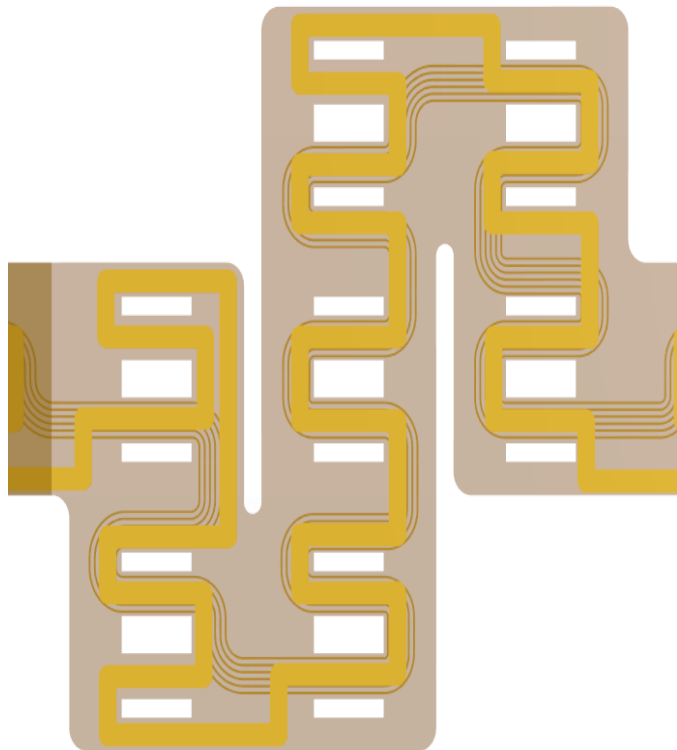






What does the fab need?

- Many problems occur as a result of lack of understanding fabrication process
- Many occur because of inaccurate or ambiguous communication between design and production
- Bottom line: **TALK TO THE FAB A LOT!!!**

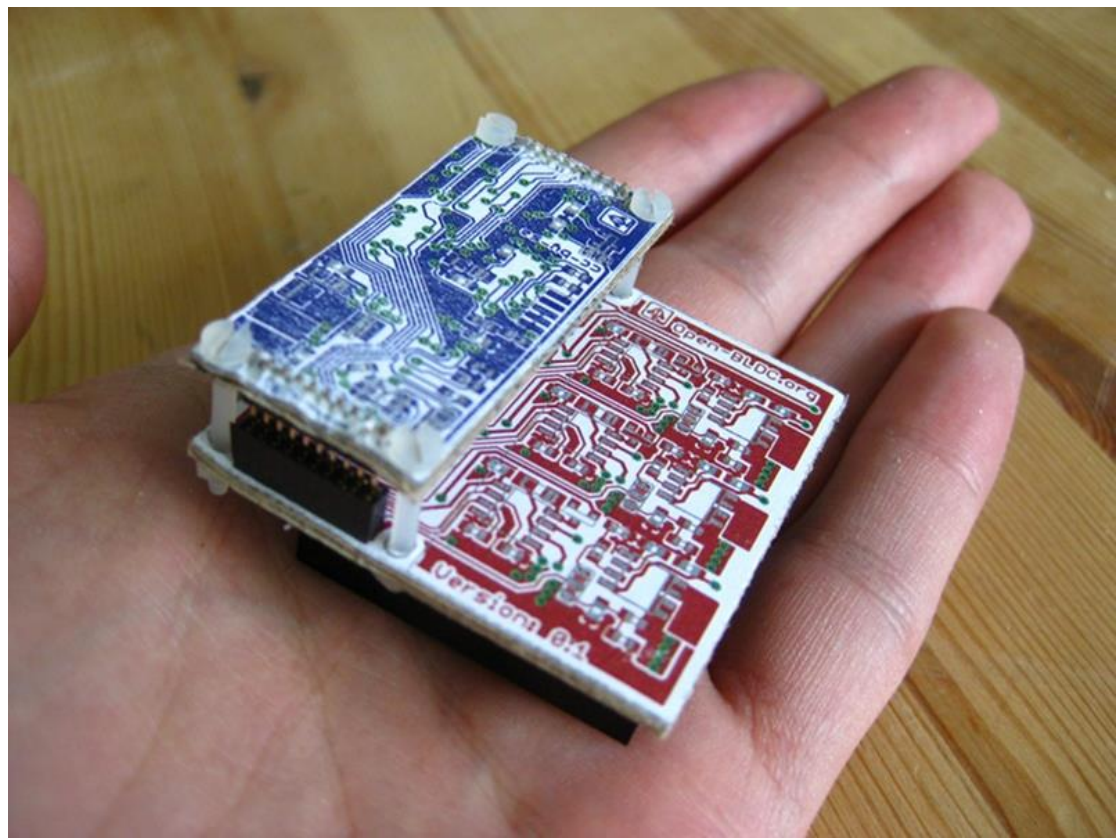


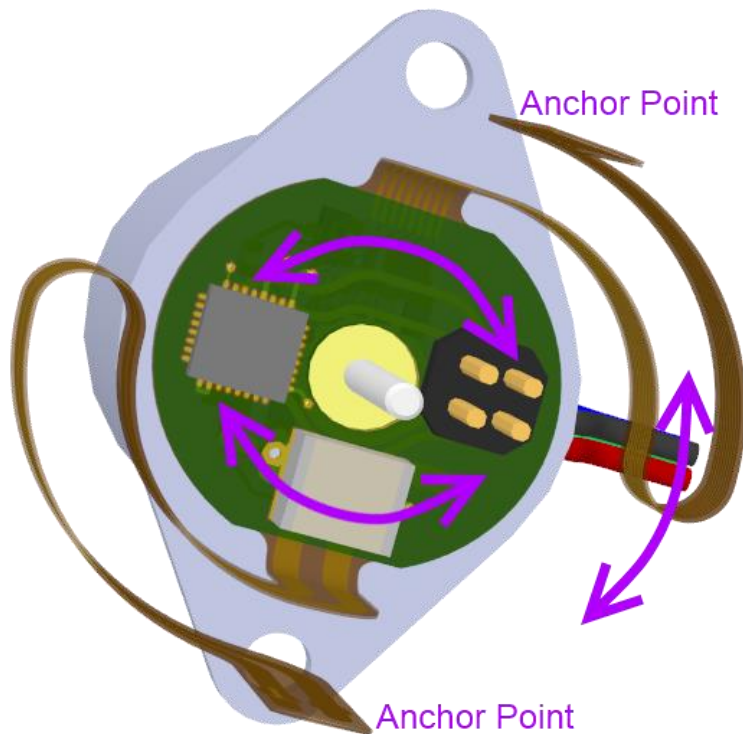


And Paper Dolls?

- All fabs will recommend making a paper doll.
- Paper Doll just means cutting out your design printed 1:1 on paper, and seeing if it will fit.

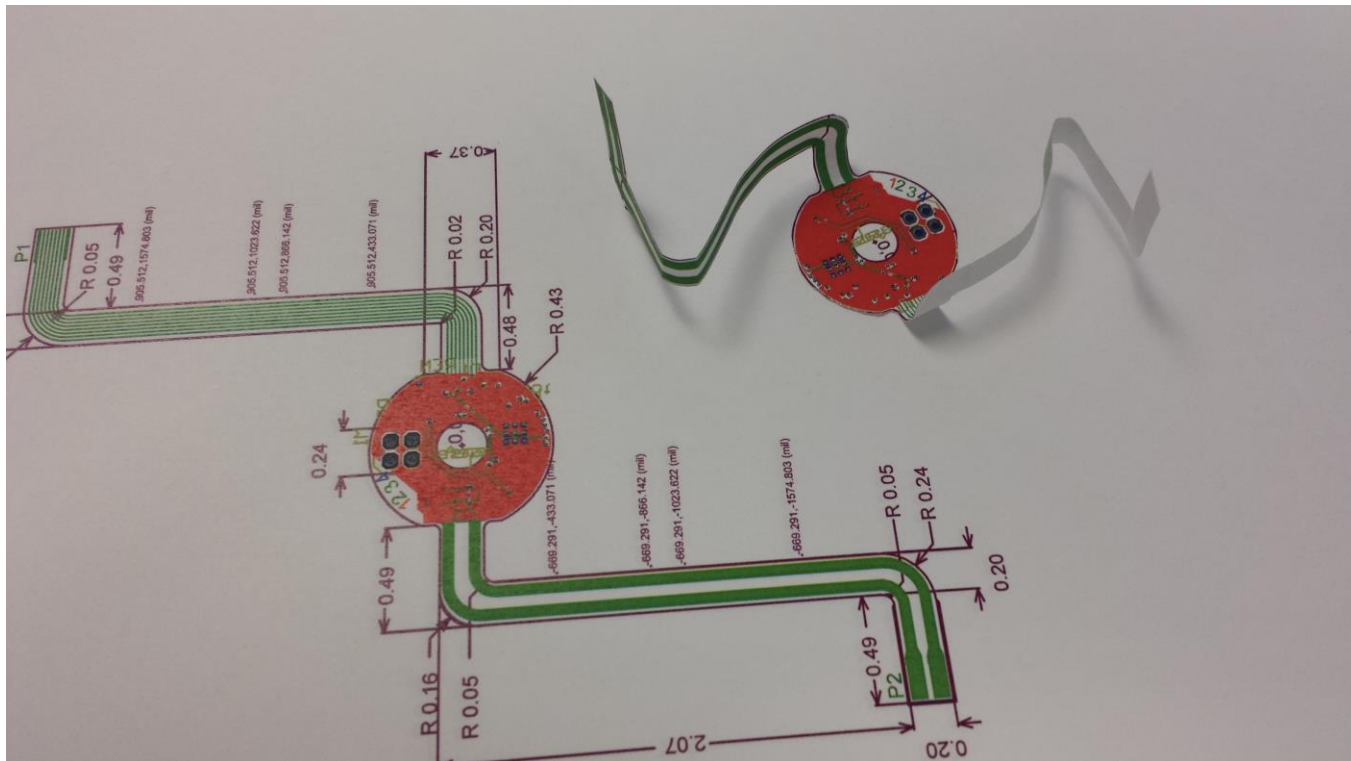






A simple example:

- We need a Stepper Motor Driver
- Rigid section to be attached to Motor
- Flex sections in dynamic connection to power and control





Limitations of the Paper Doll approach

- Time consuming & Difficult
- Can't accurately model flex bending
- Can't accurately model rigid sections and stiffeners
- Can't easily attach component bodies to paper for testing other areas of fit



Communication and Collaboration

All Drawings:

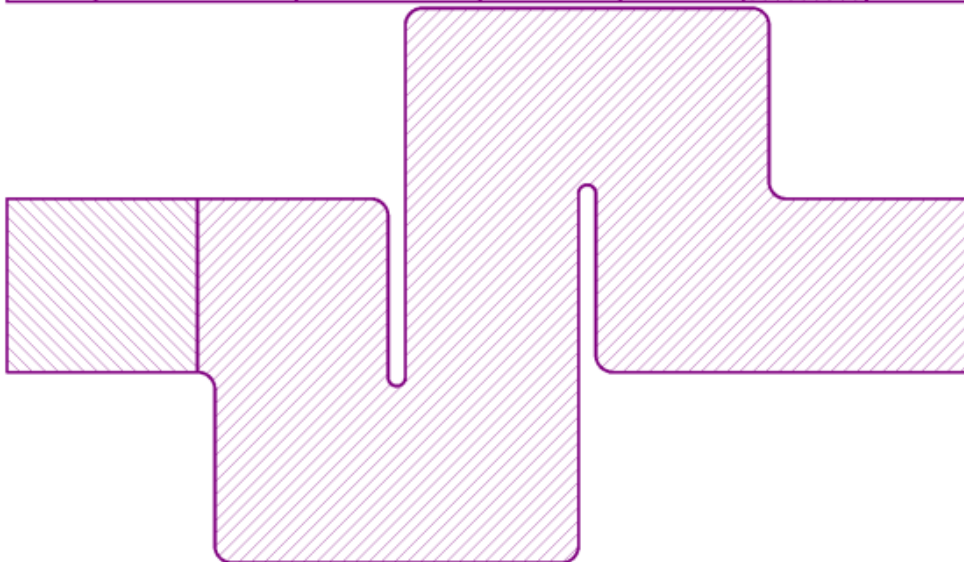
- Board outline with dimensions
- Any other critical information that is not standard
- Drill map and drill legend for quality checks
- All board part data, or indication for manufacturer to use their standard

Flex Drawings:

- Dimensions and locations of stiffeners and rigid areas
- Thicknesses of each portion of the board AND/OR materials to be used
- Application: Static or Dynamic
- Locations where board will flex and flex the most, if not obvious



Layer	Name	Material	Thickness	Constant	Flexible	Rigid
1	Top Paste					
2	Top Overlay					
3	Top Solder	Coverlay (PI)	0.50mil	4		
4	Top Layer	Copper	1.40mil			
5	PIBase	Polyimide	1.40mil	4.8		
6	Dielectric 1	FR-4	12.00mil	4.2		
7	Bottom Layer	Copper	1.40mil			
8	Bottom Solder	Coverlay (PI)	0.50mil	4		
9	Bottom Overlay					
10	Bottom Paste					



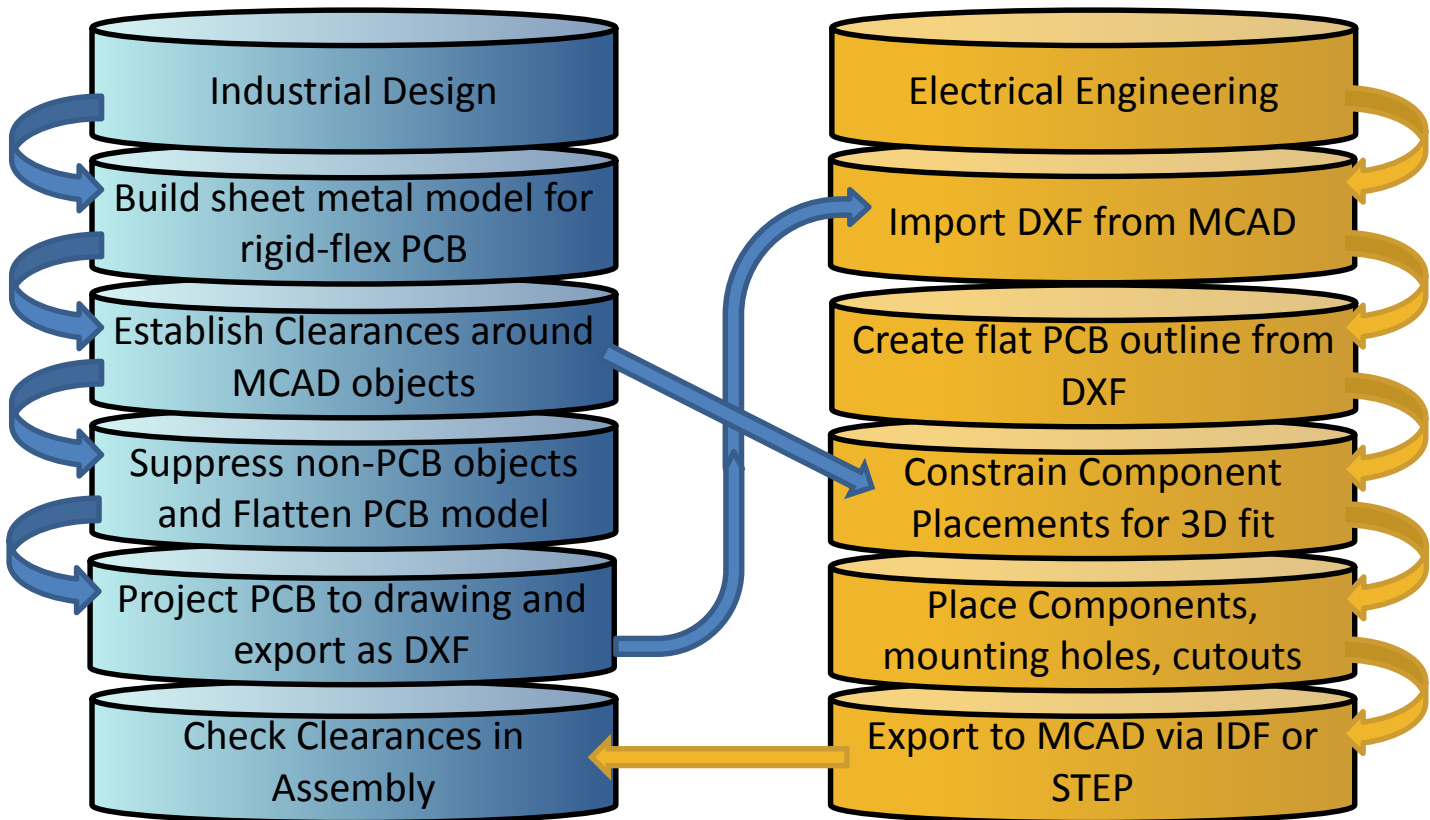


Sheet Metal Method



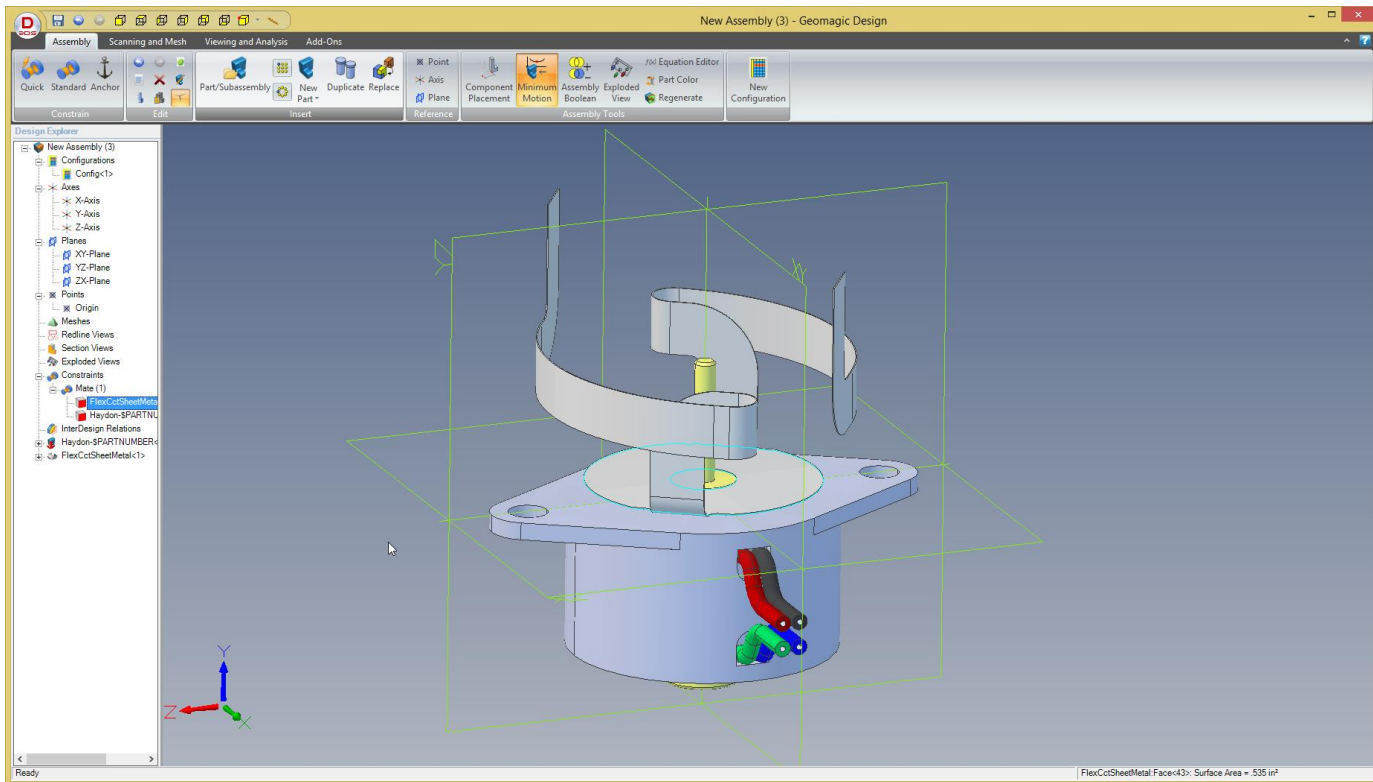
MCAD

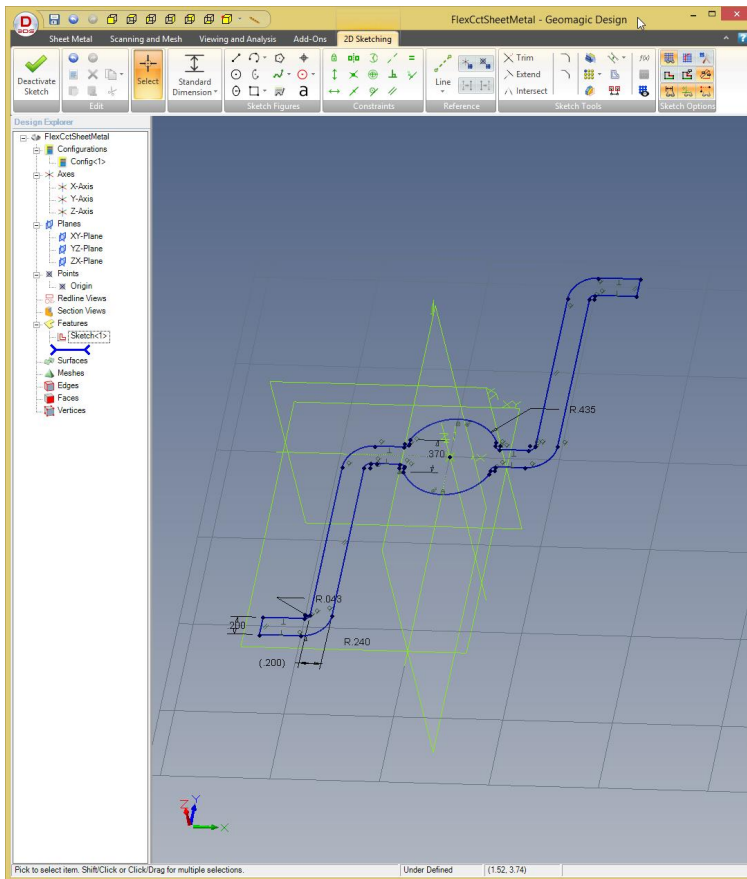
ECAD





Create MCAD model of board from assembly

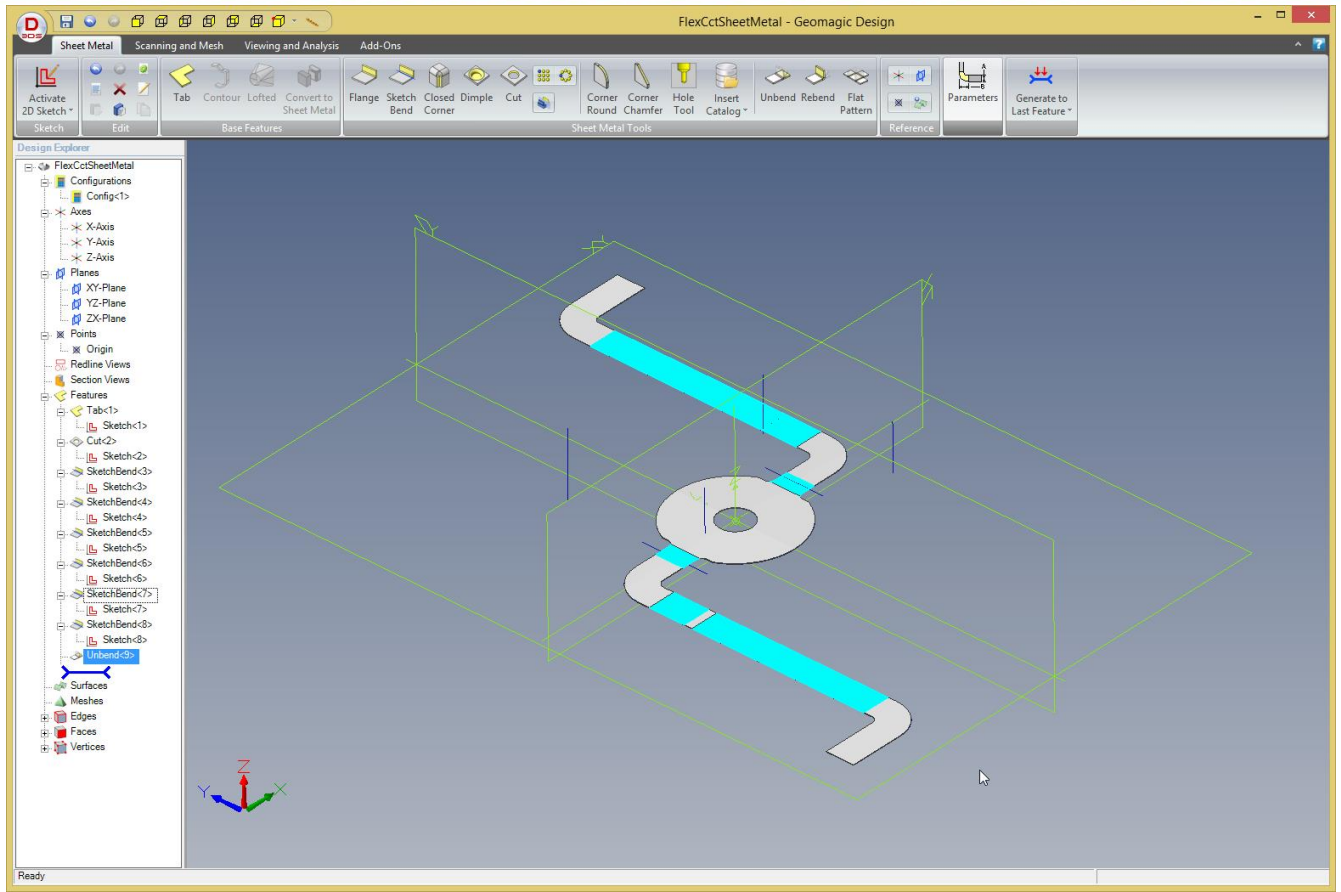


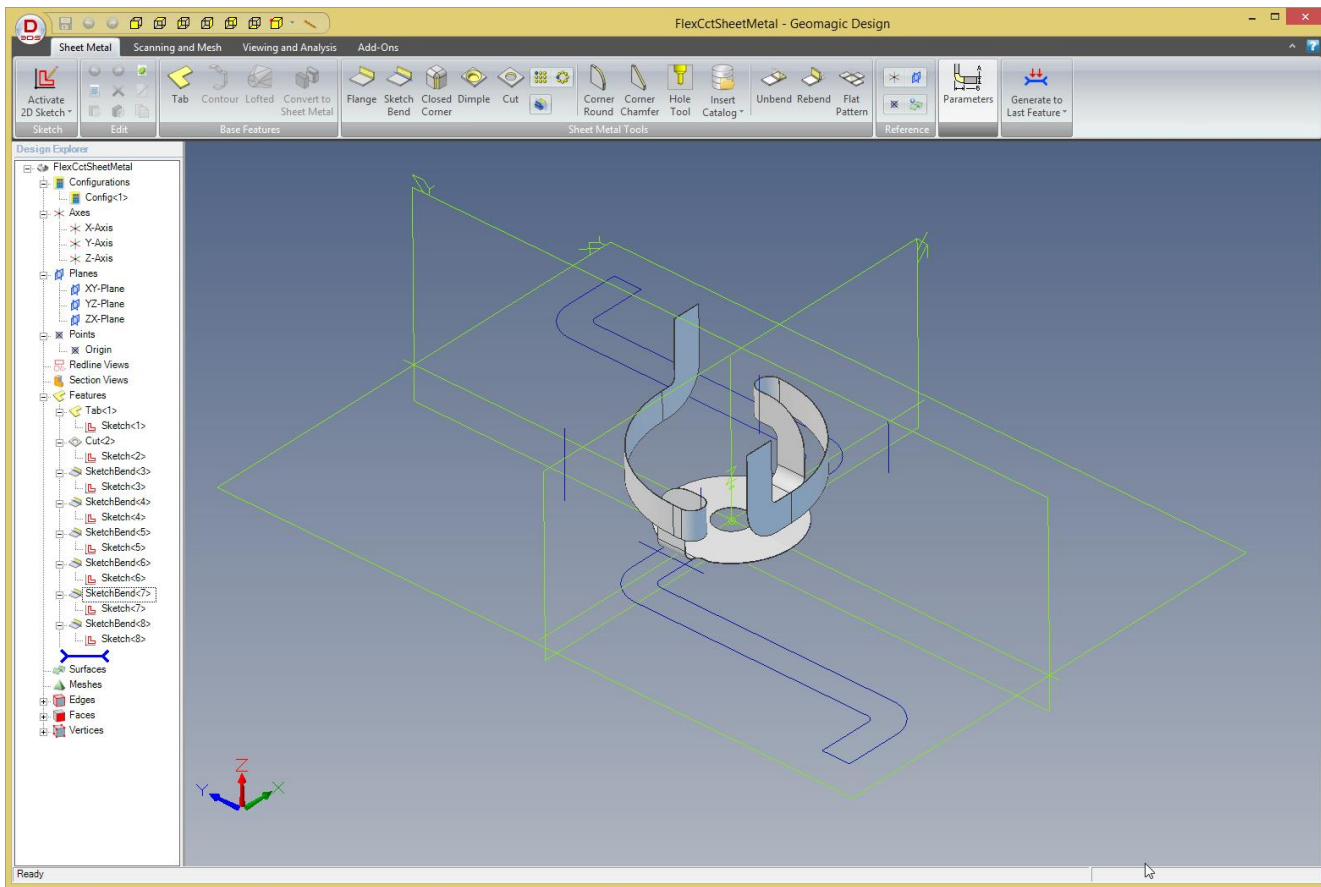


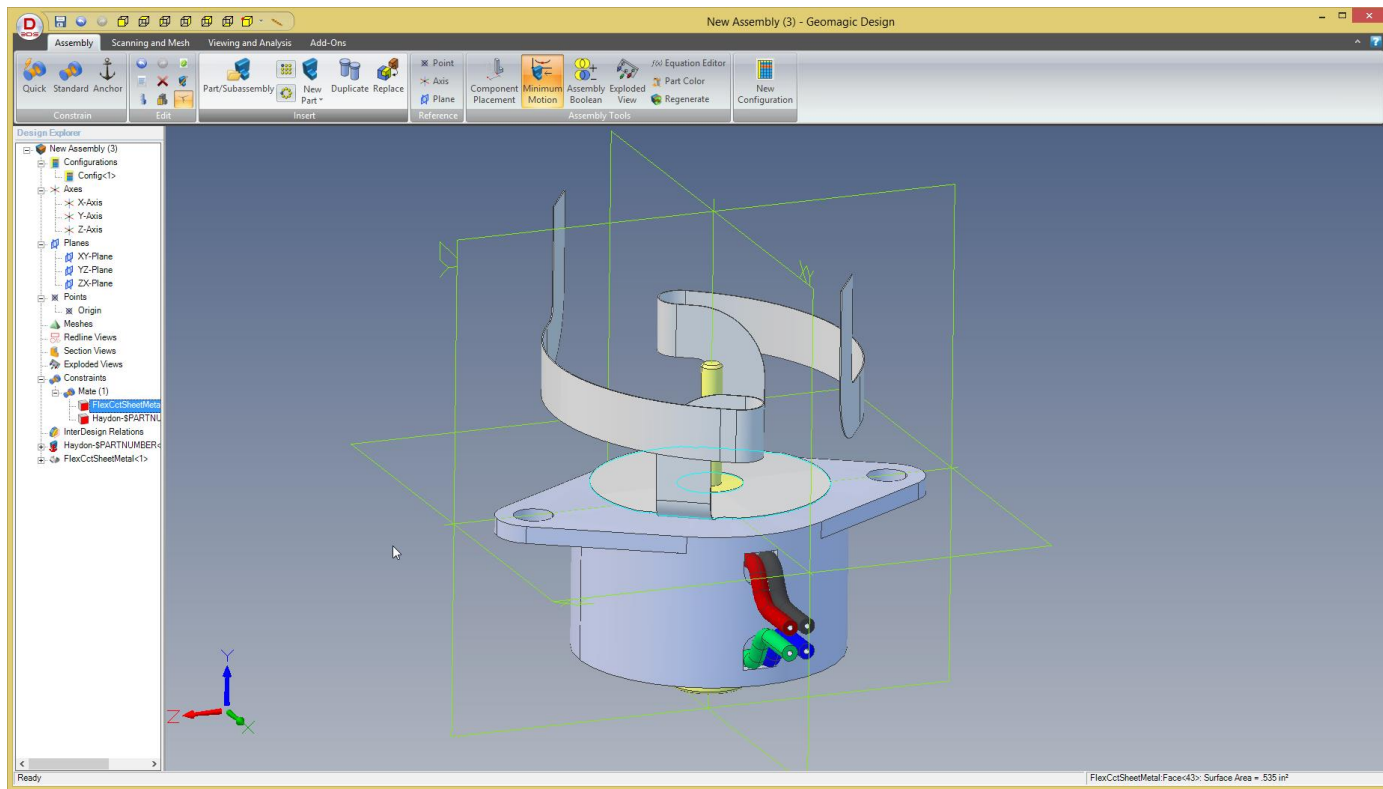
A “Sheet Metal” model of the PCB can be:

- Converted from solid part, or:
- Create using a sketch and extrusion

It depends on the CAD in use and how it implements sheet metal parts.

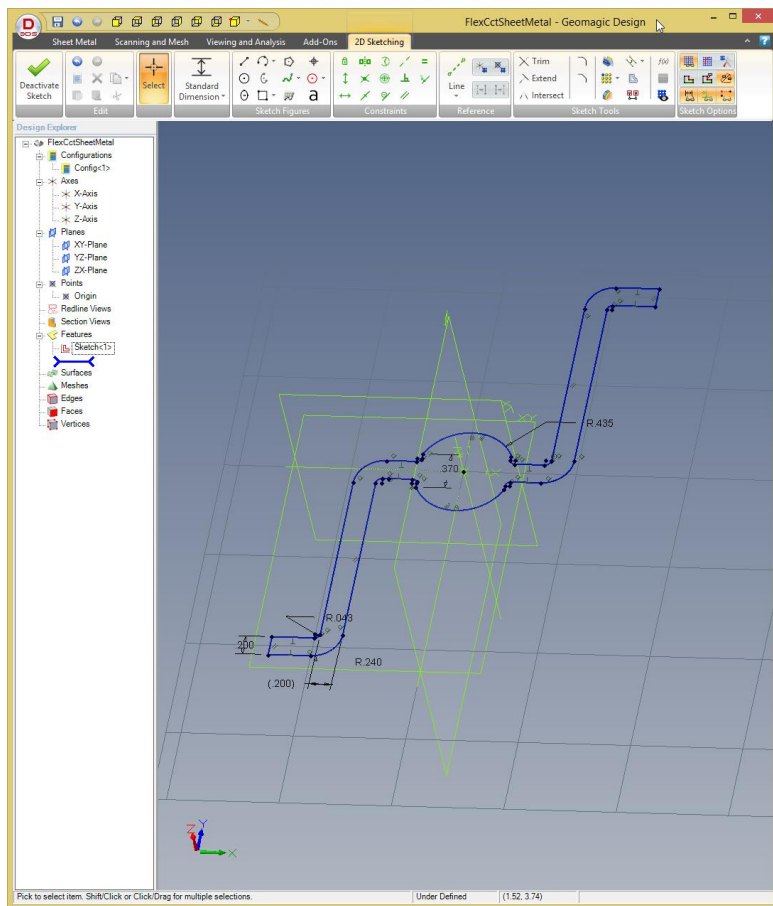


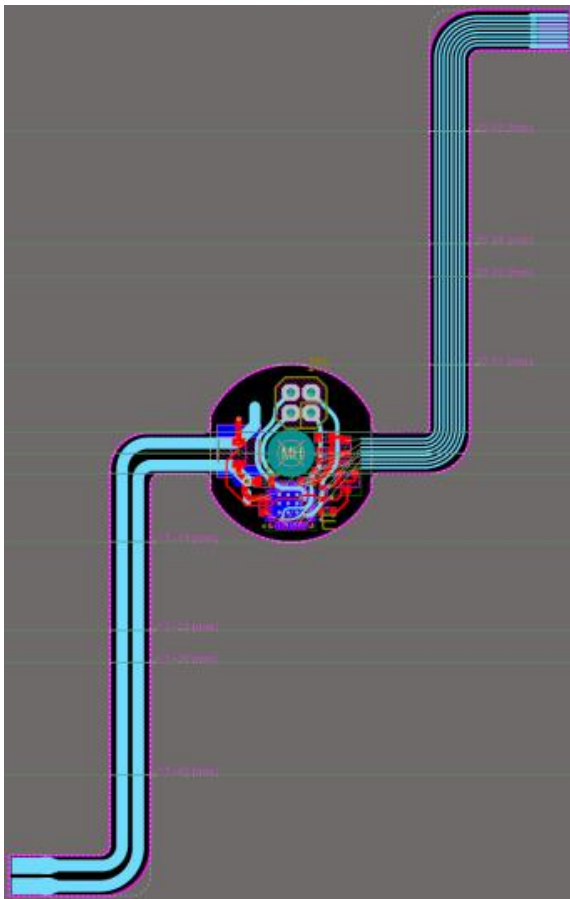






Once the model has been verified, it's 2D sketch is exported to DXF/DWG and used to import the PCB outline to the PCB design tool.





Once the model has been verified, it's 2D sketch is exported to DXF/DWG and used to import the PCB outline to the PCB design tool.



Pros and Cons of Sheet Metal Modeling

PROS

- Does away with Paper Doll
- Allows accurate form/fit check in MCAD domain
- Allows ME to define board shape from industrial design
- Allows PCB designer to focus on electrical design and component placement

CONS

- Sheet metal is not the same as FPC materials!
- Mostly Unidirectional
- Sloooooooow feedback for EE
- Difficult to model components
- Requires MCAD pro
- File translations needed
 - Loss of fidelity
 - More CAD plugins required



Direct Modeling Approach



MCAD

Industrial Design

Build sheet metal model
for rigid-flex PCB

Establish Clearances
around MCAD objects

Suppress non-PCB objects
and Flatten PCB model

Project PCB to drawing and
export as DXF

ECAD

Electrical Engineering

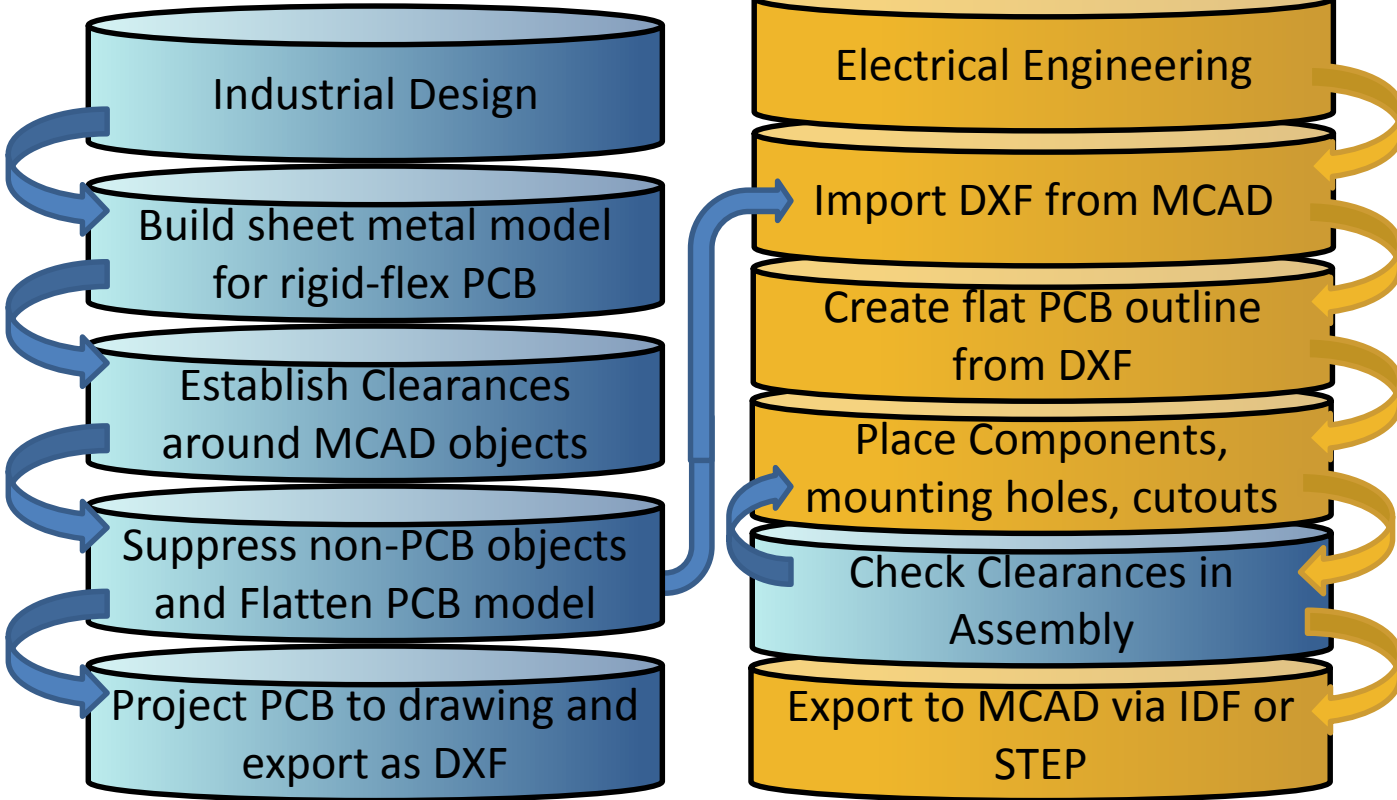
Import DXF from MCAD

Create flat PCB outline
from DXF

Place Components,
mounting holes, cutouts

Check Clearances in
Assembly

Export to MCAD via IDF or
STEP





Clearly Define Layer Stack for Fab

Layer Stack Manager

Save Load Presets 3D Custom

Layer Name	Type	Material	Thickness (mil)	Dielectric Material	Dielectric Constant
<input type="checkbox"/> Top Overlay	Overlay				
<input type="checkbox"/> Top Solder	Solder Mask/Co...	Surface Material	0.4	Solder Resist	3.5
<input type="checkbox"/> Top Layer	Signal	Copper	1.4		
<input type="checkbox"/> Dielectric 1	Dielectric	Core	10	FR-4	4.2
<input type="checkbox"/> Signal Layer 1	Signal	Copper	1.417		
<input checked="" type="checkbox"/> Coverlay	Dielectric	Surface Material	0.4	Polyimide	3.5
<input checked="" type="checkbox"/> FlexTop	Signal	Copper	1.417		
<input checked="" type="checkbox"/> FlexSubstrate	Dielectric	Core	5	Polyimide	3.2
<input type="checkbox"/> Bottom Layer	Signal	Copper	1.4		
<input type="checkbox"/> Bottom Solder	Solder Mask/Co...	Surface Material	0.4	Solder Resist	3.5
<input type="checkbox"/> Bottom Overlay	Overlay				

Total Thickness: 6.817mil

Add Layer Delete Layer Move Up Move Down Drill Pairs... Impedance Calculation...

Layout

Board Layer Stack Flex

Stack Properties

Name: Flex

Flex

Stack In Use

Managed

Add Stack Delete Stack Show User Stacks Move Left Move Right

Simple << OK Cancel



Altium Designer (15.0) - RotatingSensor.PcbDoc * - PCB_RotatingSensor.PrjPcb, Ben Jordan signed in.

DXP File Edit View Project Design Tools Auto Route Reports Window Help

Altium Standard 2D (All)

PCB RotatingSensor.PcbDoc*

Layer Stack Regions

Apply Clear Zoom Level...

Dim Select Zoom Clear Existing

Layer Stacks	Layer Count
Flex	1
Board Layer Stack	4
<All Stacks>	13

Stackup Regions

Region name Lock 3D...

Flex 5

Flex 4

Flex 3

Flex 2

Flex 1

Default Layer Stack Region

<All regions>

Bending Lines	Radius	Sequence
-90	78.74 mil	0
-90	433.07 mil	1
90	98.42 mil	2
90	98.42 mil	2
90	590.55 mil	3

Fold State

Files Projects Navigator PCB PCB File

LS Top Layer Signal Layer 1 FlexTop Bottom Layer Mechanical 1 Mechanical 13 Mechanical 15 Top Overlay Bottom Overlay Top Paste Bottom Paste Top Solder Bottom Solder Drill Guide Keep Snap Mask Level Clear

X:3160mil Y:2040mil Grid: 5mil (Hotspot Snap)

System Design Compiler Instruments PCB Shortcuts

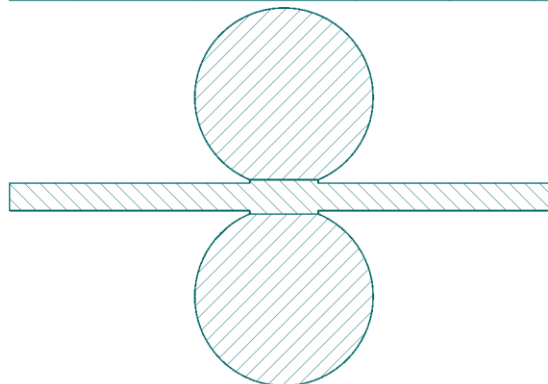


DOCUMENT!

DOCUMENT!!

DOCUMENT!!!

Layer	Name	Material	Thickness	Constant	Rigid	Flex
1	Top Overlay 1					
2	Dielectric 4	Polyimide	0.010mm	3.5		
3	Top Overlay					
4	Top Solder	Solder Resist	0.010mm	3.5		
5	Top Layer	Copper	0.036mm			
6	Dielectric 1	FR-4	0.320mm	4.8		
7	Mid-Layer 1	Copper	0.036mm			
8	Dielectric 2	FR-4	0.320mm	4.8		
9	Mid-Layer 2	Copper	0.036mm			
10	Dielectric 3	Polyimide	0.013mm	4.8		
11	Bottom Layer	Copper	0.036mm			
12	Bottom Solder	Flexible Solder Mask	0.010mm	3.5		
13	Bottom Overlay					





3D Simulation

Can see how to set up at IPC APEX 2015
company booth.



Benefits of Direct Modeling Approach

- Instant feedback throughout design process
- Modeling of entire assembly with components
 - Clearance checking
- Visual output for assembly instructions
- Generation of high-fidelity fabrication drawings
 - Layer Stack Regions
 - Rigid-Flex board outline
 - Bikini Coverlay & Stiffeners
- Modeling of Flex-To-Install assembly process
- Output of detailed MCAD models for closed loop design



Great, but what about getting it made?

USE INTELLIGENT FABRICATION OUTPUTS:

- Gerber RS-274X is what most fabs will ask for, because:
 - It's the devil they know.
 - They have 30 years of experience with it.
 - It can be easily “massaged” to suit CAM needs.
- IPC2581B &/OR GerberX2 are preferable because they:
 - Contain full layer stack data in order.
 - Allow full specification of materials and other parameters.
 - Can cater for multiple layer stack regions.
- Good fabrication drawings will always help. Especially with Bikini Coverlays and Stiffeners that have to be cut and adhered.



Who's doing this already?

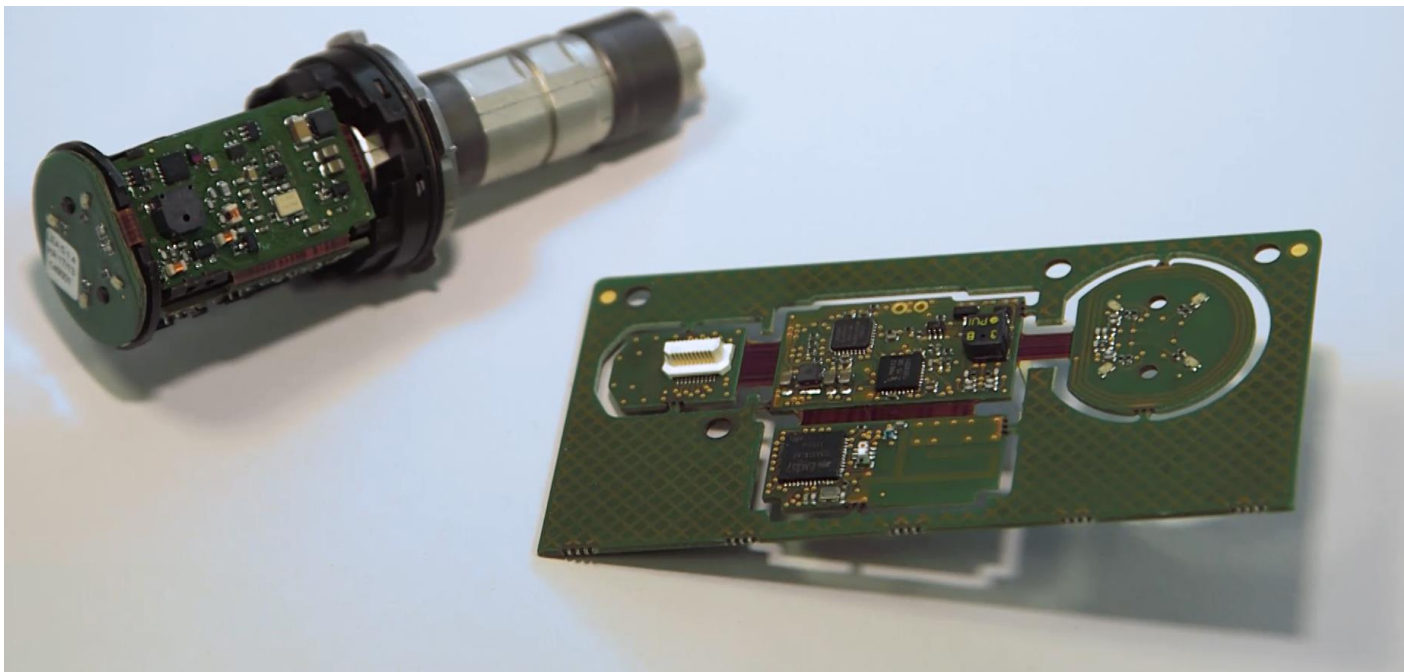
Ref: SIEMENS EGSE





Who's doing this already?

Ref: KABA





Thank you!

Also can see me at IPC
APEX 2015 company
booth

Questions?

